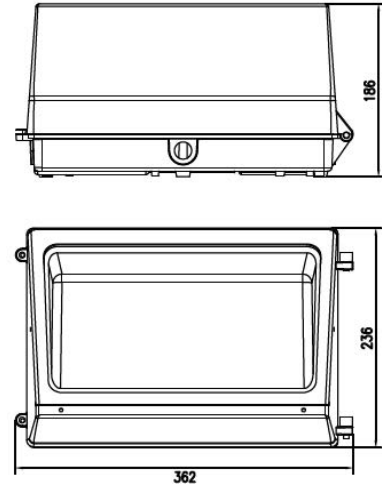




Driverless LED Wallpack

60W, 120-277V, 5000K

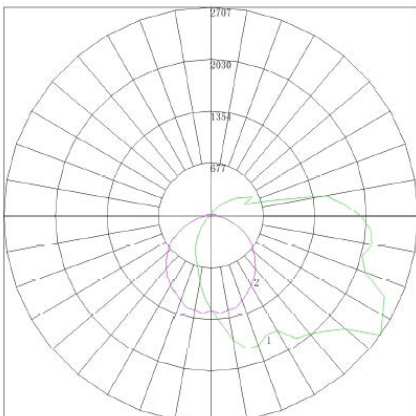


Features:

Driverless Design eliminates premature driver failure, significantly increases fixture life expectancy at high ambients.

- 5 year warranty at 55°C/140°F
- 2X To 10X longer fixture life expectancy compared to traditional LED fixtures
- Higher maximum ambient operating temperature range vs traditional LED fixtures
- 5050 LED package - superior lumen output and heat dissipation
- Universal Voltage 120V through 277V
- Superior Lumen (L70) and Color Maintenance over time compared to traditional LED fixtures
- Eliminates driver generated noise and harmonics - Eliminates maintenance costs
- 10KV Surge Suppression standard
- Bronze Diecast Aluminum Housing
- Heat Resistant Directed Optics - Borosilicate Glass
- Excellent Heat Dissipation - Maximum Life Expectancy

Cat#	Wattage	Volts	Lumens	CCT	CRI	Dimming	Lumens/ Watt	Distribution	
71101	60	120-277	6,714	5000K	70	0-10V/PWM/VR	112	100° X 100°	





Driverless LED Wallpack

60W, 120-277V, 5000K



Technical Specifications:

Electrical:

Input Voltage: 120-277 (no 208V)

Current: .494A

Power Factor: .90

THD: 20%

Product Parameters:

Watts: 60

Lumens: 6,714

Efficacy: 112 lumens per watt

50,000+ Hour L70 Life Span

CCT: 5000K (Cool White)

Chromacity

Measurements:

Beam Angle: 100° X 100°

CRI: 70

R9: -19

DUV: .0014

Chromaticity (x,y): x=.3819; y=.3807

Chromaticity (u,v): u=.2245; v=.5035

Component

Specifications:

LED: LumiLed 3030

Driver: 100-277V (no 208V)

50-60 Hz

Driver Output Volts:

Driver Output Amps:

Surge Suppression: 10 KV

Dimming: 0-10V

Operating Temperature:

Minimum Starting -40°F - 140°F

Construction:

Housing: ADC 12 Aluminum Alloy Powder Coated

IP Rating: IP65 suitable for wet locations

Lens Material: Heat Resistant Borosilicate Glass

UV Resistant

Fire Resistant

Listings: UL Listed: E474299

Weight: 10 lb

Glare Shield:

Cat# 71108

Wire Guard:

Cat# 77111

Warranty:

Morris Products carries a 5 year warranty from date of purchase against defects in materials and workmanship (assuming normal and proper usage).