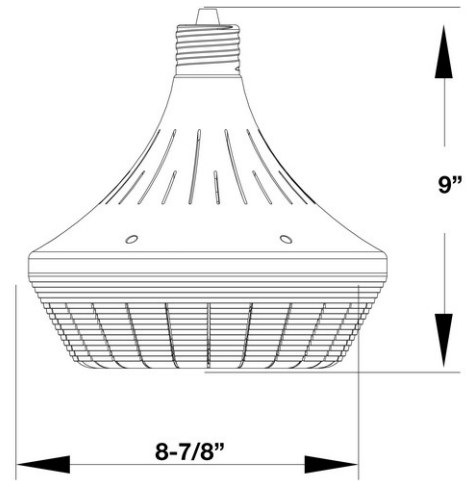




70622 - LED RETROFIT HIGH BAY LAMP

120-277V 240W 5000K

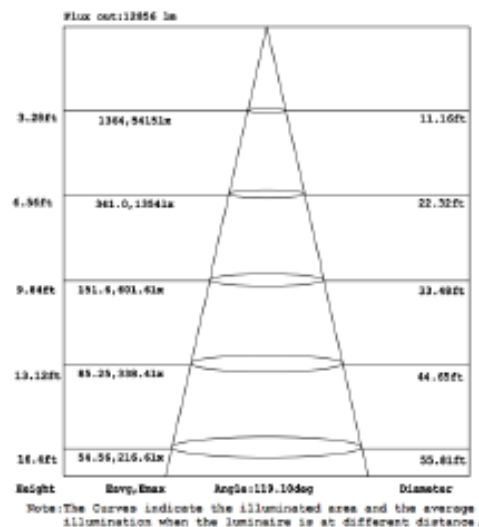
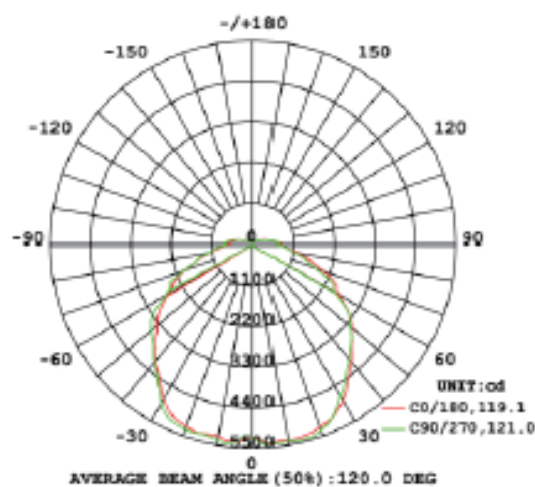


FEATURES:

- Retrofit for HPS & MH Hi-Bay Lamps
- E39 Mogul Base
- Aluminum Housing
- Polycarbonate Clear Lens
- Operating Temperature: -40°F to 113°F
- Damp Location Rated
- UL Listed
- 5 year Warranty

Part#	Housing Color	Wattage	Lumens	CCT	Voltage	Light Pattern	BUG Rating	Lumens/Watt	DLC PRODUCT ID#:
70622	White	240W	31,200	5000K	120-277	120°	B1-U3-G3	130 lm/w	S-DVS6YE

PHOTOMETRY





70622 - LED RETROFIT HIGH BAY LAMP

120-277V 240W 5000K

Technical Specifications:

Electrical:

Input Voltage: 120 - 277

Current: 1.47A @ 120V

Frequency: 60Hz

Power Factor: ≥ 0.9

THD: $\leq 20\%$

Product Parameters:

240 Watts

Efficacy: 130 lumens per watt

50,000+ LED Life Span=====

CCT: 5000k (Cool White)

Chromacity Measurements:

Beam Angle: 120°

BUG Rating: B1-U3-G3

CRI: >80

Component Specifications:

LED: SMD 2835

Driver: 100-277V 50-60HZ

Dimming:

Yes

Operating Temperature:

Minimum Starting -40°F - 113°F

Construction:

Housing: Aluminum

Powder Coated

IP Rating: IP65 Waterproof Rating

Lens Material: Polycarbonate

Mounting: E39 Screw In Base

Listings: cULus

Warranty:

Morris Products carries a 5 year warranty from date of purchase against defects in materials and workmanship (assuming normal and proper usage).