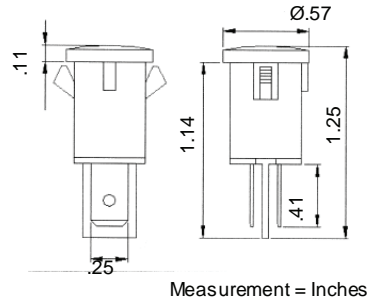
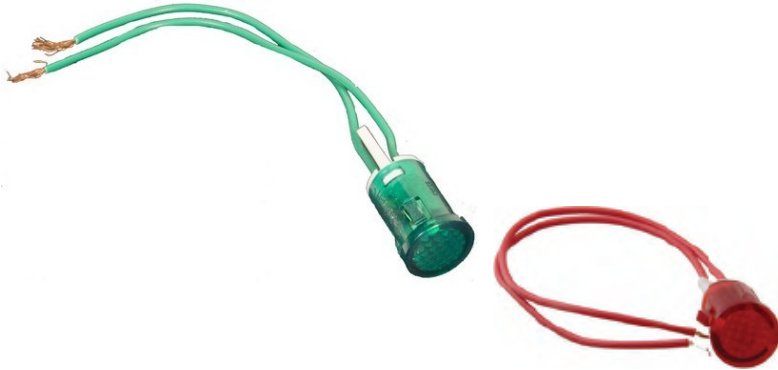




MORRIS CAT#: 70323-70328
Round Indicator Pilot Lamp with 6" Leads



Features:

Round Indicator Pilot Lamp with 6" Leads features include:

- Incandescent Indicator Lamps
- Insulation Resistance: 100 milliohm
- Dielectric Strength: 3000VAC
- Lamp Life Expectancy: > 10,000 Hrs
- -13°F to 185°F
- Nylon 6/6 Housing with Polycarbonate Lens
- 6" Leads
- Order Qty of 10 = 1 Bag of 10

- Nylon 6/6 Housing with Polycarbonate Lens
- Brass Terminals
- .47" Shaft Diameter

CAT. NO.	COLOR	RATING	TERMINATION	BAG QTY
70323	GREEN	125VAC	6" WIRE LEADS	10
70324	RED	125VAC	6" WIRE LEADS	10
70325	AMBER	125VAC	6" WIRE LEADS	10
70326	GREEN	24VDC	6" WIRE LEADS	10
70327	RED	24VDC	6" WIRE LEADS	10
70328	AMBER	24VDC	6" WIRE LEADS	10