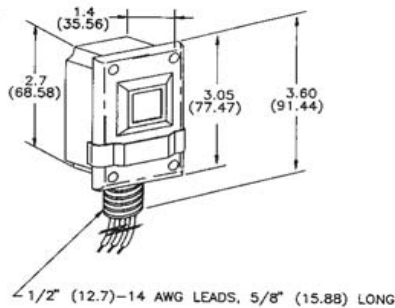




Catalog Number 39020
 UPC Number 60198639020
 Description Swivel Base Shutter Style Photocell
 120 Volt



Features

- Housing: UV stabilized impact resistant Polycarbonate
- Swivel Base
 Heavy-duty thermal bi-metal switch provides a 30+ second time delay
 Contact Position at Night is Normally Closed
- Sensor Type: CDS
 Single Pole, Single Throw Switch
 Power Consumption Below 1.5 Watts Average
- Load Switching Capability: 5,000 operations
- Load Rated: 600W/1000W/1800VA
 3/4" Long 3/8" Threaded Nipple & Nut for 1/2" K.O.
- Operating Temperature: -40°C to +70°C

General

Material: Polycarbonate Housing
 Switching: Single Pole Single Throw, Normally Closed
 Load Rating: 2000W Tungsten
 1000VA HID
 Sensor Type: CDS - Cadmium Sulfide

Dimension Information

Width: 2.05"
 Height: 3.6"
 Depth: 1.4"
 Lead: 16AWG/18AWG, LENGTH 15" 105°C
 Nipple: 1/2"-14 Thread for 1/2" KO

Specifications

Photocell: Cadmium Sulfide
 Temperature Rating: Neg 40F To +140°F
 Voltage Rating: 120 V
 Frequency: 50-60 Hertz
 Turn-On Light Level: 1-5 FC
 Turn-Off Light Level: 3-5 FC
 Turn-On Time Delay: 30 Seconds Minimum
 Turn-Off Time Delay: 30 Seconds Minimum

Packaging

Bag Qty 1
 Master Bag Qty 1

Certifications

UL UL 773 Standard
 cUL
 RoHS