



Catalog Number 22022 - 22132
UPC Number
Description Terminal Strip
 2 Through 12 Position



Features

- Nylon insulated
- 300V 30 Amp Rating
-

General

Material: Housing: Nylon 6/6
 Terminal Screws: M4 Nickel plated Brass
 Terminals: Brass Tin Plated

Dimension Information

See Engineering Dwg
 .562" Center Spacing

Specifications

Temperature Rating: -40°F to 248°F (-40°C to 120°C)
Voltage Rating: UL 300VAC CSA 600VAC
Dielectric Strength: Withstands Voltage: AC 2000V/min
Insulation Resistance: 1000M or More at DC500V
Flammability Rating: UL 94V-0
Amperage Rating: 30A
Wire Range Awg: 12-18 Str
Screw Torque Value: 18 Kg-cm
 Brass Tin Plated Terminals 0.8t

Packaging

Bag Qty 2
Bulk Qty 10

Certifications

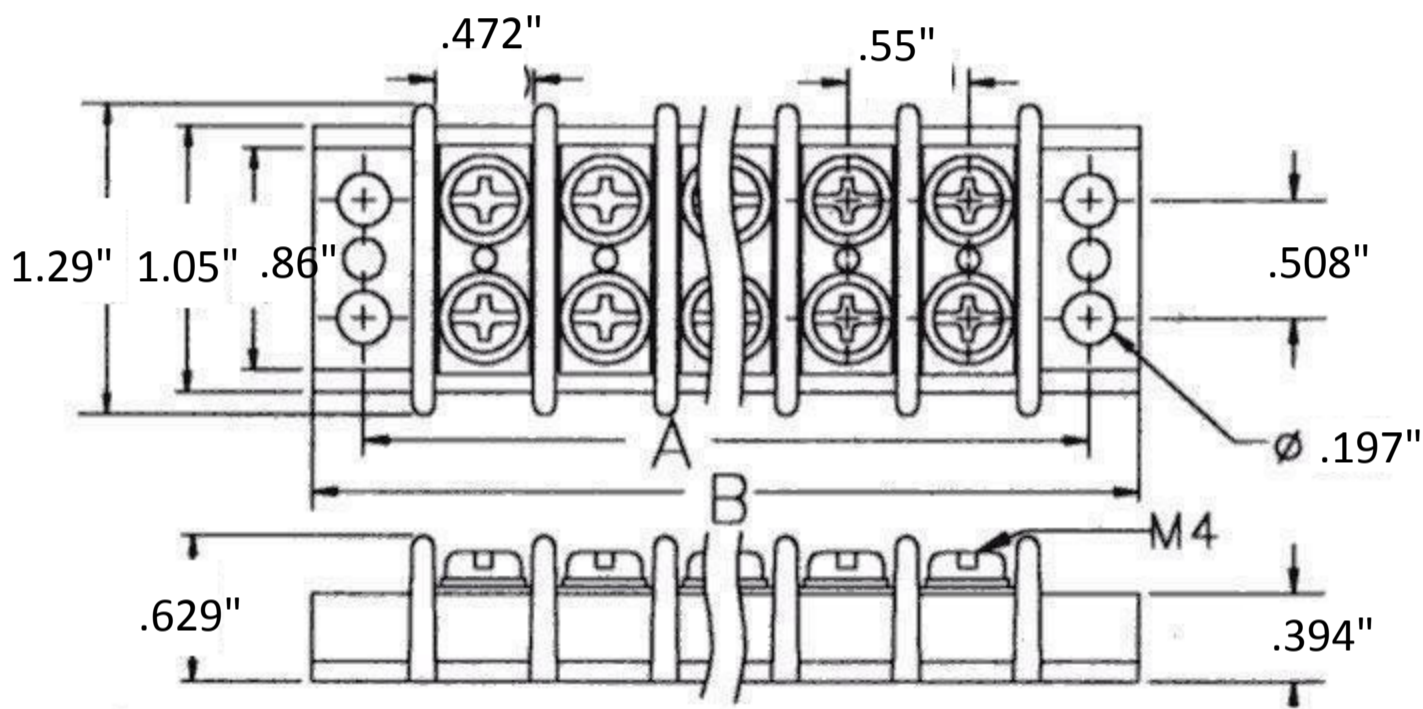
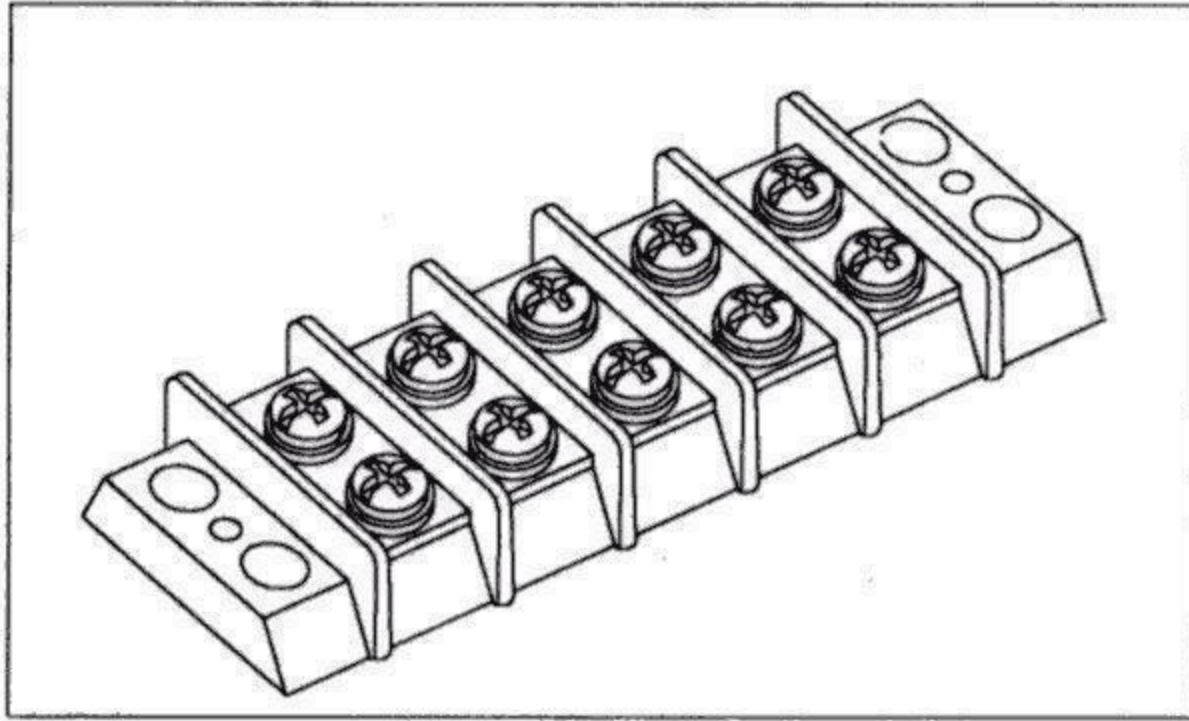
UL Yes
CSA Yes
ROHS

Cat No.	Poles	A	B	Pkg Qty	
Header Card - 2 Pack					
22122	2	1.65"	2.05"	2	
22123	3	2.20"	2.60"	2	
22124	4	2.76"	3.15"	2	
22126	6	3.86"	4.25"	2	
22128	8	4.96"	5.35"	2	
22130	10	6.06"	6.46"	2	
22132	12	7.17"	7.56"	2	
Bag - 10 Pack					
22022	2	1.65"	2.05"	10	
22023	3	2.20"	2.60"	10	
22024	4	2.76"	3.15"	10	
22026	6	3.86"	4.25"	10	
22028	8	4.96"	5.35"	10	
22030	10	6.06"	6.46"	10	
22032	12	7.17"	7.56"	10	



22022 - 22132

PITCH .551"



DIMENSION : +- .032" Pitch .551"

P	2	3	4	5	6	7	8	9	10	11	12
A	1.65"	2.20"	2.76"	3.31"	3.86"	4.41"	4.96"	5.51"	6.06"	6.61"	7.16"
B	2.05"	2.60"	3.15"	3.70"	4.25"	4.80"	5.35"	5.91"	6.46"	7.01"	7.56"

SPECIFICATIONS

Rated: 30A 600VAC
 Insulation Withstands Voltage: AC 2000V/min
 Insulation Resistance: 500M Ω or More at DC500V
 Using Temperature Range: -40 $^{\circ}$ C ~ +105 $^{\circ}$ C
 Screw Torque Value: 18 Kg-cm
 Wire Range Awg: 12 - 18 STR
 Insulator Body : Plastic NYLON 66
 Terminals: Brass, Tin Plated 0.8t
 Terminal Screws: M4 Nickel Plated Steel

Morris Products Inc.

53 Carey Rd. Queensbury NY 12804