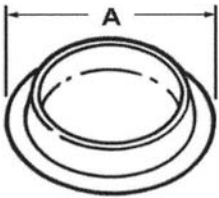




**Catalog Number** 21721 - 21723  
**UPC Number**  
**Description** Knockout Plug  
 Plastic



**Features**

- Low Density Polyethylene
- Plug round holes in enclosures, housings, sheet metal etc.
- Easy Snap-In Installation positive lock

**General**

**Material:** Low Density Polyethylene

**Dimension Information**

See Engineering Dwg

**Specifications**

**Flammability Rating:** UL 94V-2

**Packaging**

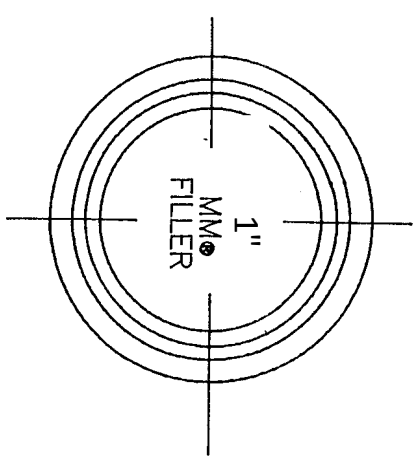
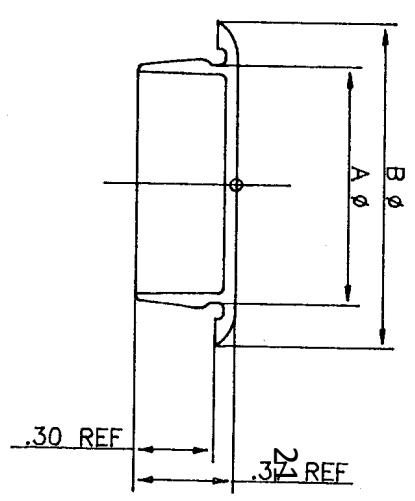
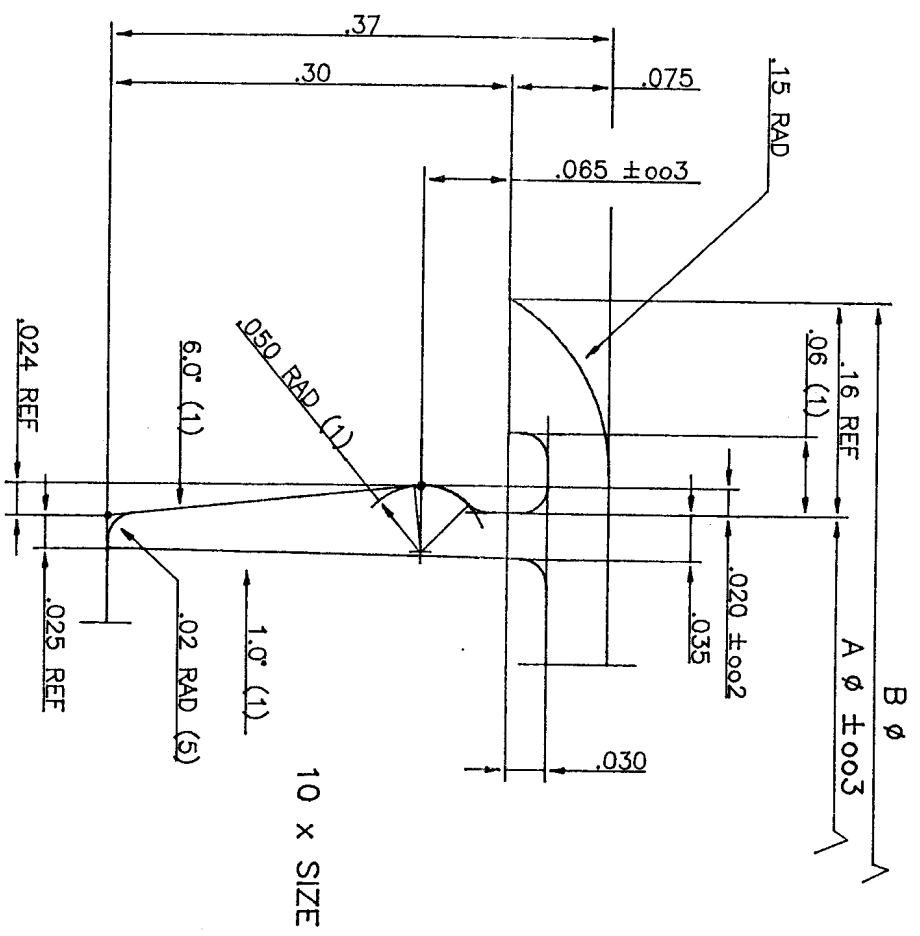
**Bag Qty** See Table

**Certifications**

UL Yes  
 CSA Yes  
 ROHS

Cat No.	Trade Size	A	Bag Qty	
21721	1/2"	1-1/8"	100	
21722	3/4"	1-1/4"	100	
21723	1"	1-1/2"	50	

PLUG SIZE	. A .	. B .
1"	1.345"	1.67"



DATE	No.	REMARKS	BY

Morris Products Inc. Queensbury NY 12804		DRAWN		CONTRIF		MAY 1993		MATERIAL POLYETHYLENE	
DIMENSIONS ARE IN INCHES		APP'D		FINISH		SPE # 2			
TOLERANCES ARE IN INCHES		SCALE		TITLE		PART No		SHEET 1 OF 1	
± .005 & PLC		B		KO Plug 21723		DWG No B-04E 10205		REV	
± .010 & PLC								PAGE 194	
± 1/4 ANGLES									