



Catalog Number See Table
UPC Number
Description Velcro Cable Ties
 Hook & Loop Design



Features

- Durable Nylon Hook & Loop Fabric Material
- Releasible & Reuseable
- Excellent for Datacommunications & Frequent Access applications
- Slotted Cinch Head for ease of bundling

General

Material: Nylon Fabric
Flammability: UL94V-2

Dimension Information

Length: See Table
Width: See Table
Bundle Dia: See Table

Specifications

Temperature Rating
Voltage Rating 600
Flammability Rating UL 94V-0
Tensile Strength: 50 lbs

Packaging

Bag Qty 10

Certifications

UL Yes
CSA Yes
ROHS Yes

Cat No.	Bundle		Bag Qty	
	Dia	Color		
20970	2.0"	Black	10	
20972	2.0"	Blue	10	
20974	2.0"	Red	10	
20976	2.0"	Yellow	10	

1 • 2 • 3 • 4 •

A

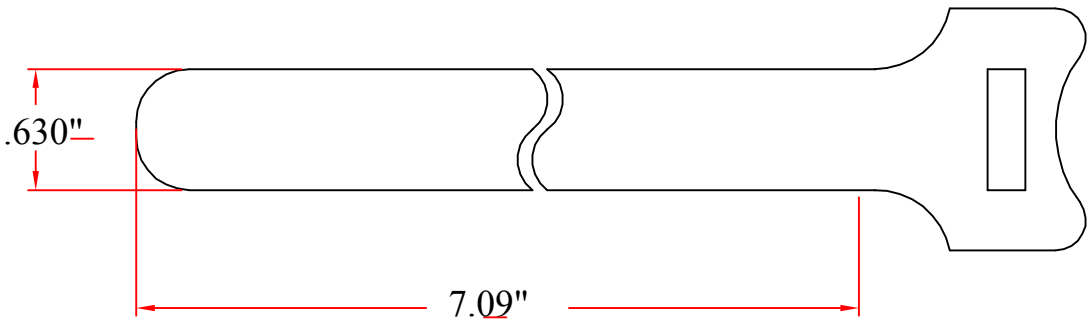
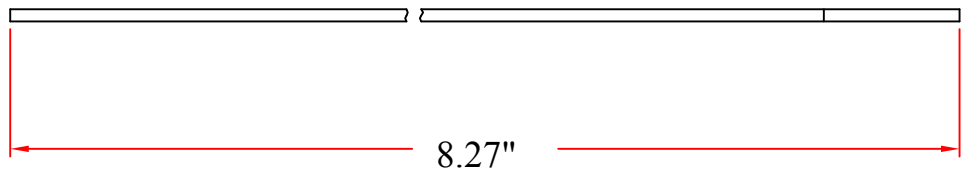
B

C

D

E

F



Morris Products
Queensbury NY

MATERIAL P.P.
NYLON

ITEM NO. 20970 - 20976

SCALE

Various Colors

NAME Hook/Loop Cable Tie

(. . .)

TOLERANCE ±0.5mm

(. . .)
03-02-2007
DATE

REVISIONS K001
R.NO.