



Catalog Number See Table
UPC Number
Description Releasable Cable Tie
 UV Black



Features

- Durable Nylon 6/6 Material
- Low Profile Releasable Locking Head
- Bent Tip for ease of insertion into locking head
- UV Black for outdoor applications

General

Material: Nylon 6/6
Flammability: UL94V-2
UV Rating: UV Inhibiting Carbonate A additive

Dimension Information

Length: See Table
Width: See Table
Bundle Dia: See Table

Specifications

Temperature Rating Negative 40 to 185⁰ F
Voltage Rating 600
Flammability Rating UL 94V-2
Tensile Strength: Various

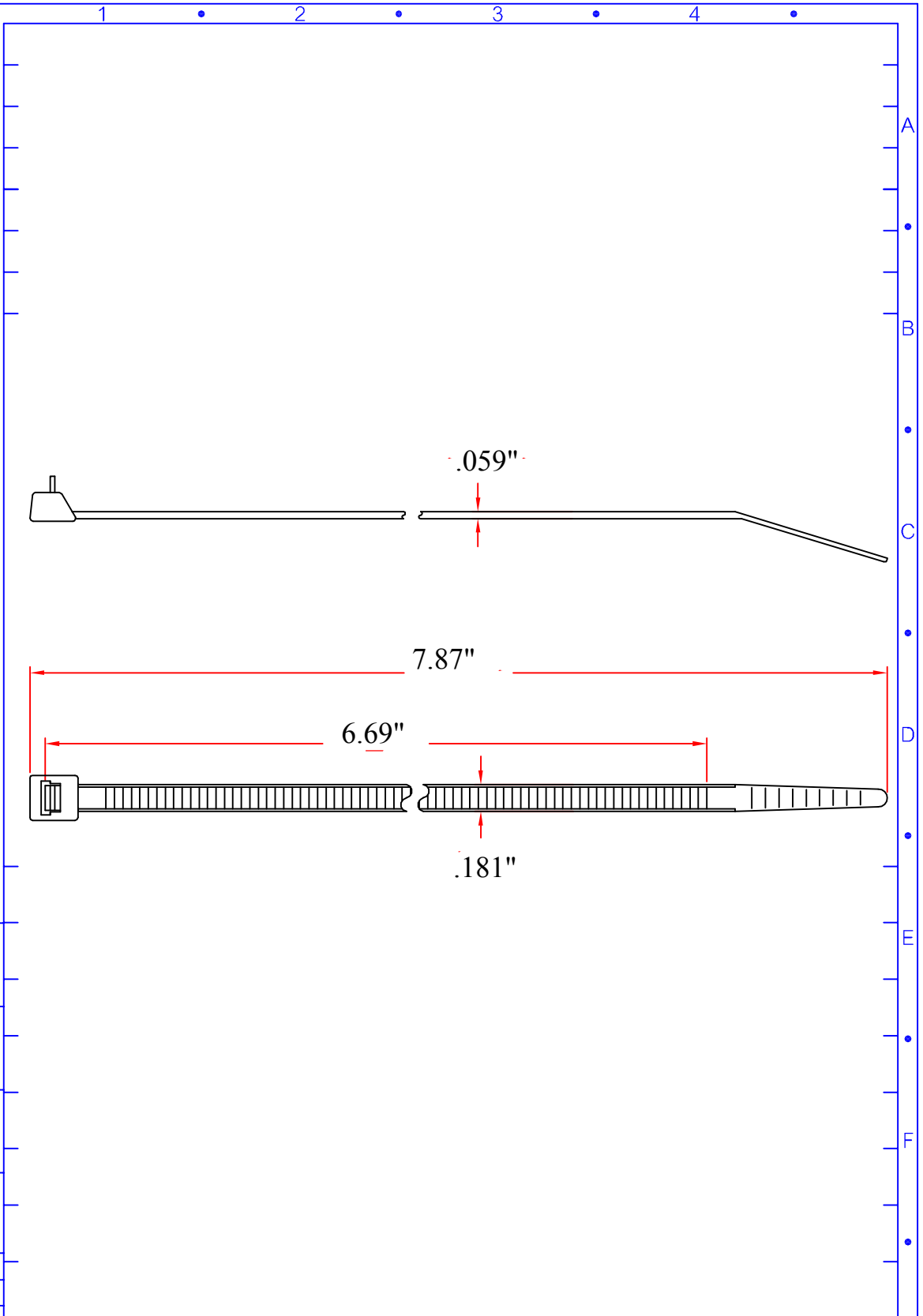
Packaging

Bag Qty 100

Certifications

UL Yes
CSA Yes
ROHS Yes

Cat No.	Tensil Strength (Lbs.)	Length (Inches)	Width (Inches)	Max Bundle Dia (In)	Bag Qty	Master Bag Qty	
ULTRAVIOLET BLACK							
20422	50	6	0.183	1.56	100	1000	
20424	50	8	0.183	2.17	100	1000	
20428	50	11 7/8	0.187	3.46	100	100	
20430	50	14 1/2	0.187	4.02	100	100	



Morris Products Queensbury NY		MATERIAL UL 94V-2 NYLON 66	ITEM NO. 20424
SCALE		UV Black	NAME Releasable Cable Tie
△	(. .)	△	10-22-2007 DATE
		REVISIONS	K001
			R.NO.