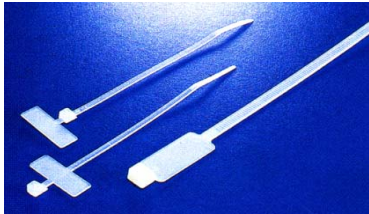




Catalog Number 20362
UPC Number 60198620362
Description Marker Cable Tie
18 Lb Tensile Strength



Features

- Durable Nylon 6/6 Material
- Low Profile Locking Head
- Bent Tip for ease of insertion into locking head
- Label/Marking area

General

Material: Nylon 6/6
Flammability: UL94V-2

Dimension Information

Length: 3.94"
Width: .098"
Bundle Dia: .98"
Marker Size: .31" x .98"

Specifications

Temperature Rating Negative 40 to 185⁰ F
Voltage Rating 600
Flammability Rating UL 94V-2
Tensile Strength: 18 Lbs

Packaging

Bag Qty 100

Certifications

UL Yes
CSA Yes
ROHS Yes

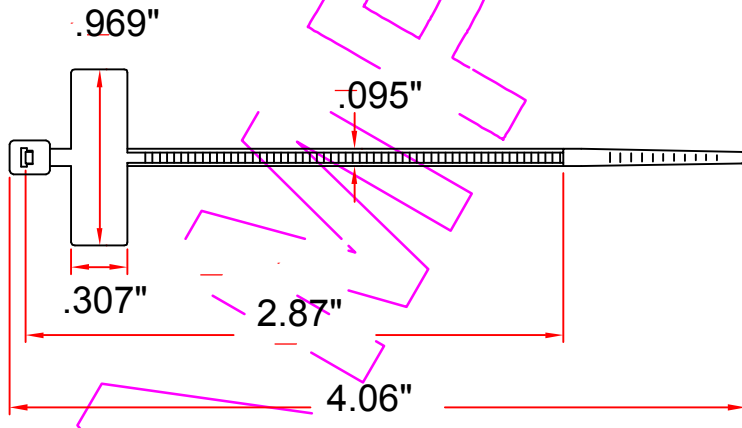
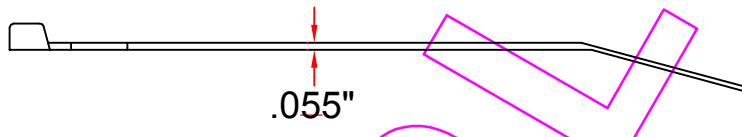
www.morrisproducts.com

Morris Products 53 Carey Road, Queensbury, NY 12804



1 2 3 4

A
B
C
D
E
F



SAMPLE

MATERIAL UL 94V-2
NYLON 66

ITEM NO. 20362

SCALE

Color Natural

NAME MARKER TIE



(. .)

Morris Products
Queensbury NY



02-18-2006
DATE

REVISIONS K002

R.NO.