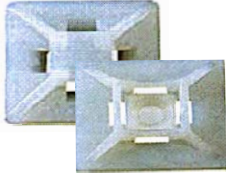




Catalog Number See Table
UPC Number
Description Nylon Cable Tie Mounts
 Adhesive Mount



Features

- Durable Nylon 6/6 Material
- Rubber Based Adhesive
- Screw Mount Option
- Natural & UV Black

General

Material: Nylon 6/6
Flammability: UL94V-2

Dimension Information

Length: See Table
Width: See Table
Marker Tab: See Table

Specifications

Temperature Rating: Negative 40⁰ to 185⁰ F
Voltage Rating: N/A
Flammability Rating: UL 94V-2

Packaging

Bag Qty 100

Certifications

UL UL Approved Nylon
 CSA
 ROHS

Cat No.	Color	Mount Type	Base Size (Inches)	Cable Tie Accepted (inches)	Bag Qty	Master Bag Qty	
20352	Natural	Regular	.3/4X3/4	.138 Wide	100	1000	
20354	Natural	#8 Screw Hole	1.1X1.1	.190 Wide	100	1000	
20355	Natural	(4) #8 Screw Holes	1.5x1.5	.390 Wide	100	1000	
20356	UV Black	Regular	.3/4X3/4	.138 Wide	100	1000	
20357	UV Black	#8 Screw Hole	1.1X1.1	.190 Wide	100	1000	
20359	UV Black	4) #8 Screw Holes	1.5x1.5	.390 Wide	100	1000	

1

2

3

4

A

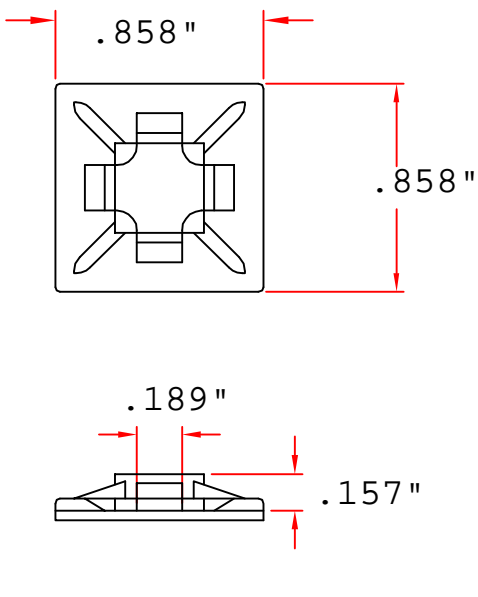
B

C

D

E

F



MATERIAL UL 94V-2
 NYLON 66

ITEM NO. 20352

SCALE

Natural

NAME

SELF ADHESIVE TIE MOUNT



(. . .)

Morris Products
 Queensbury NY



(. . .)

09-04-2007
 DATE

REVISIONS

K001

R.NO.