



Catalog Number See Table
UPC Number
Description Masonry Push Tie Mount



Features

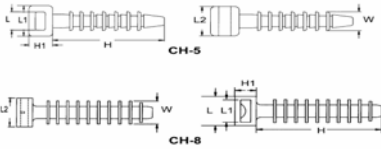
- Durable Nylon 6/6 Material
- Ribbed Shaft for Extra Holding Strength
- Slotted Head To Accommodate Cable Tie
-

General

Material: Nylon 6/6
Flammability: UL94V-2

Dimension Information

Length: See Table
Width: See Table
Bundle Dia: See Table



Specifications

Temperature Rating Negative 40 to 185⁰ F
Voltage Rating 600
Flammability Rating UL 94V-2

Packaging

Bag Qty 100

Certifications

UL
 CSA
 ROHS

| Cat No. | Length (L) | L1 Cable Tie | Length (L2) | Height (H) | Height (H1) | Width (W) | Bag Qty | Master Bag Qty |
|---------|------------|--------------|-------------|------------|-------------|-----------|---------|----------------|
| 20346 | .38" | .23" | .37" | .96" | .24" | .24" | 100 | 1000 |
| 20348 | .50" | .38" | .49" | 1.46" | .25" | .39" | 100 | 1000 |

1 • 2 • 3 • 4 •

A

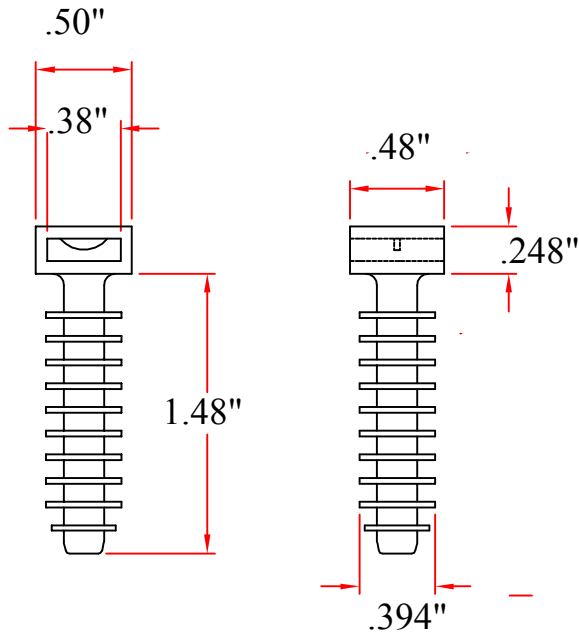
B

C

D

E

F



Morris Products
Queensbury NY

MATERIAL UL 94V-2
NYLON 66

ITEM NO. 20348

SCALE

Black

NAME

Masonry Mount

△ (•••)

TOLERANCE ±0.5mm

△ 08-27-2007
DATE

REVISIONS K001

R.NO.