



Catalog Number See Table
UPC Number
Description Mounting Cable Tie
 UV Black



Features

- Durable Nylon 6/6 Material
- Low Profile Locking Head
- Bent Tip for ease of insertion into locking head
- Mounting Tab for mechanical mounting

General

Material: Nylon 6/6
Flammability: UL94V-2
UV Rating: UV Black Carbonate A additive

Dimension Information

Length: See Table
Width: See Table
Bundle Dia: See Table

Specifications

Temperature Rating Negative 40 to 185⁰ F
Voltage Rating 600
Flammability Rating UL 94V-2
Tensile Strength: Various

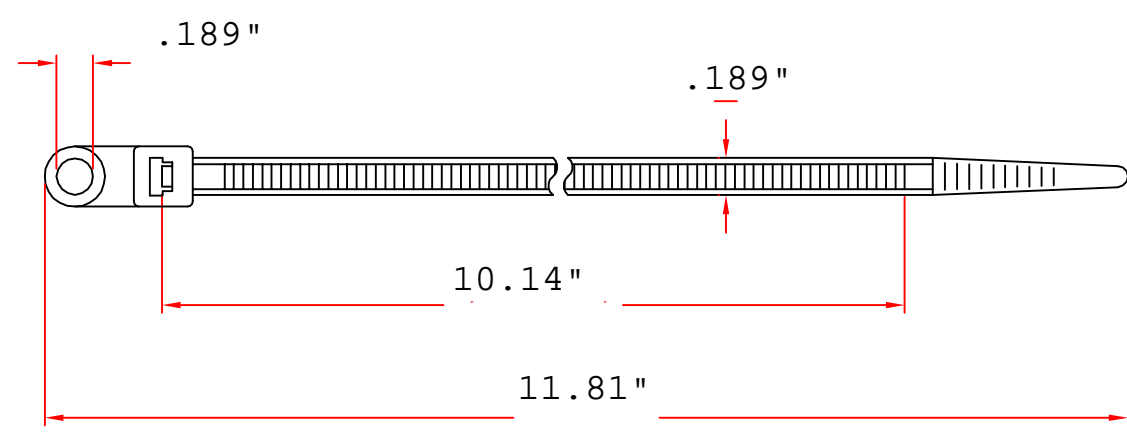
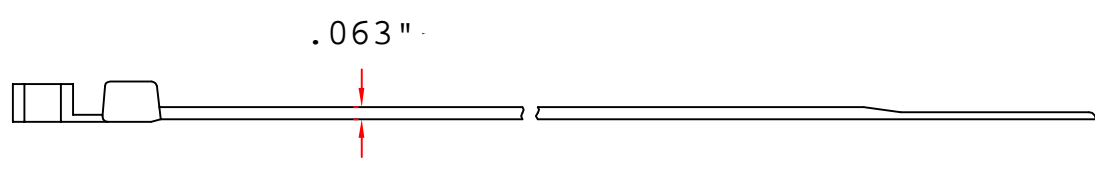
Packaging

Bag Qty 100

Certifications

UL Yes
CSA Yes
ROHS Yes

| Cat No. | Tensil Strength (Lbs.) | Length (Inches) | Width (Inches) | Max Bundle Dia (In) | Bag Qty | Master Bag Qty | Per 100 |
|--------------------------|------------------------|-----------------|----------------|---------------------|---------|----------------|---------|
| ULTRAVIOLET BLACK | | | | | | | |
| 20332 | 25 | 3 7/8 | 0.098 | 0.98 | 100 | 1000 | |
| 20334 | 40 | 6 | 0.144 | 1.54 | 100 | 1000 | |
| 20336 | 50 | 8 | 0.164 | 2.17 | 100 | 1000 | |
| 20337 | 50 | 11 7/8 | 0.1889 | 3.35 | 100 | 1000 | |
| 20338 | 50 | 14 7/16 | 0.187 | 4.02 | 100 | 100 | |
| 20340 | 120 | 15 5/8 | 0.308 | 4.8 | 100 | 100 | |



| | | | | | |
|----------|----------|---------------------------|------------|---------|-----------|
| MATERIAL | | UL 94V-2 | ITEM NO. | 20337 | |
| | | NYLON 66 | | | |
| SCALE | UV Black | | NAME | | |
| | | MOUNTING CABLE TIE | | | |
| | (. .) | Morris Products | | (. .) | REVISIONS |
| | | Queensbury NY | 09-27-2006 | DATE | K002 |
| | | | | | R.NO. |