



Catalog Number See Table
UPC Number
Description Cable Tie - UV Black
 120 Lb Tensile Strength



Features

- Durable Nylon 6/6 Material
- Low Profile Locking Head
- Bent Tip for ease of insertion into locking head

General

Material: Nylon 6/6
Flammability: UL94V-2

Dimension Information

Length: See Table
Width: See Table
Bundle Dia: See Table

Specifications

Temperature Rating Negative 40 to 185⁰ F
Voltage Rating 600
Flammability Rating UL 94V-2
Tensile Strength: 120 Lbs
UV Rating: UV Resistant Carbonate A additive

Packaging

Bag Qty 100

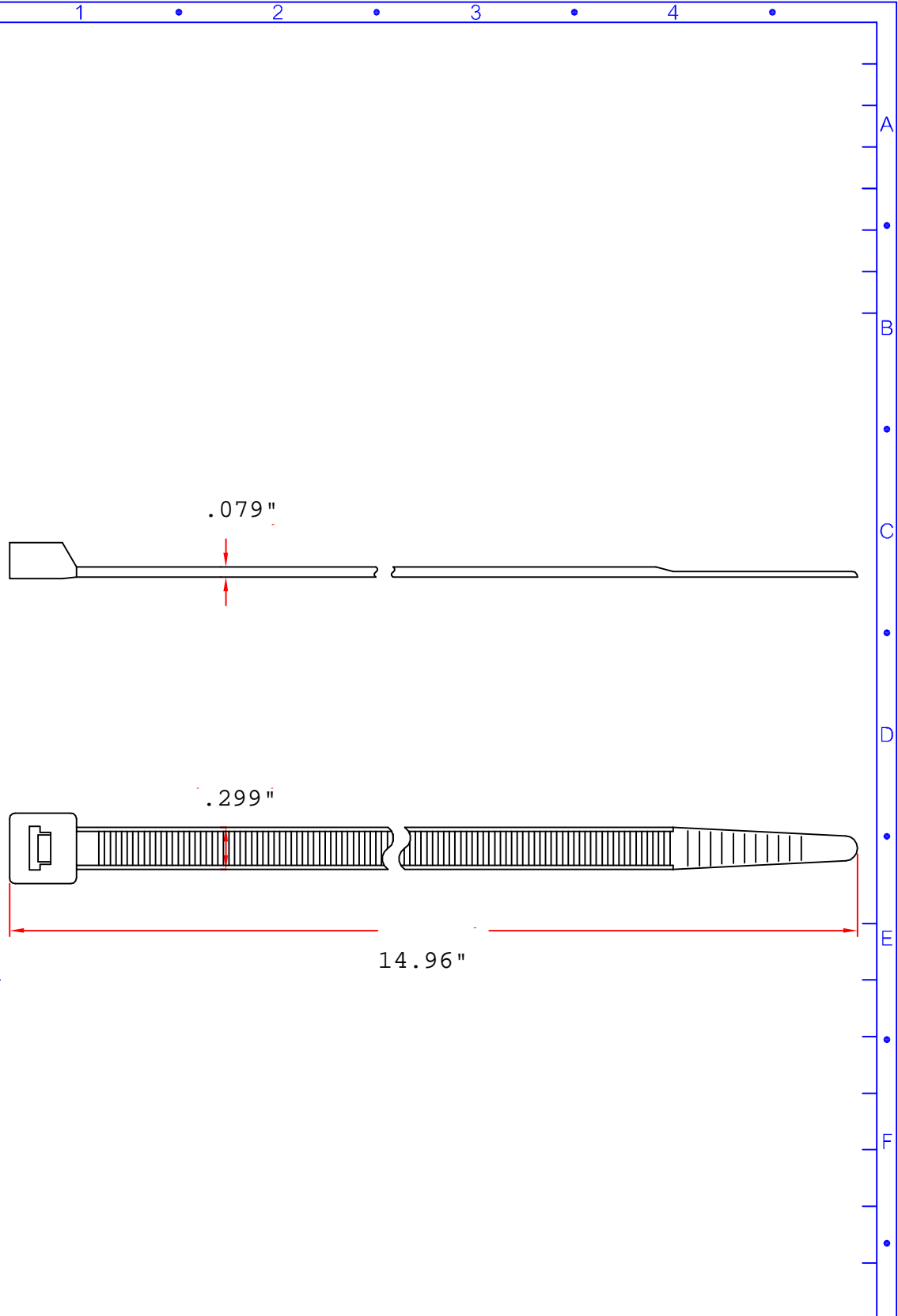
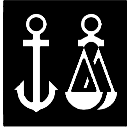
Certifications

UL Yes
CSA Yes
ROHS Yes

Cat No.	Tensil Strength (Lbs.)	Length (Inches)	Width (Inches)	Max Bundle Dia (Inches)	Bag Qty	Master Bag Qty	Per 100
20272	120	8	0.296	2.17	100	100	
20274	120	11	0.296	3.19	100	100	
20276	120	15	0.296	4.33	100	100	

www.morrisproducts.com

Morris Products 53 Carey Road, Queensbury, NY 12804



Morris Products Queensbury NY		MATERIAL-UL 94V-2 NYLON 66	ITEM NO. 20276
SCALE		120 LBS Tensile	NAME NYLON CABLE TIE
△	(. .)	UV Resistant Black	△ 08-27-2008 DATE REVISIONS K001
			R.NO.