



Catalog Number See Table
UPC Number
Description Cable Tie - Natural
 250 Lb Tensile Strength

Features

- Durable Nylon 6/6 Material
- Low Profile Locking Head
- Bent Tip for ease of insertion into locking head



General

Material: Nylon 6/6
Flammability: UL94V-2

Dimension Information

Length: See Table
Width: See Table
Bundle Dia: See Table

Specifications

Temperature Rating Negative 40 to 185⁰ F
Voltage Rating 600
Flammability Rating UL 94V-2
Tensile Strength: 250 Lbs

Packaging

Bag Qty 100

Certifications

UL Yes
CSA Yes
ROHS Yes

Cat. No.	Tensil Strength (Lbs.)	Length (Inches)	Width (Inches)	Max Bundle Dia (Inches)	Bag Qty	Master Bag Qty	
20092	250	11	0.5	3.19	100	100	
20094	250	21 5/8	0.5	6.54	100	100	
20096	250	28 3/4	0.5	8.86	100	100	
20098	250	40 1/2	0.5	12.48	100	100	



DNV

E-4988

Lloyds Register

06/10038

1 • 2 • 3 • 4 •

A

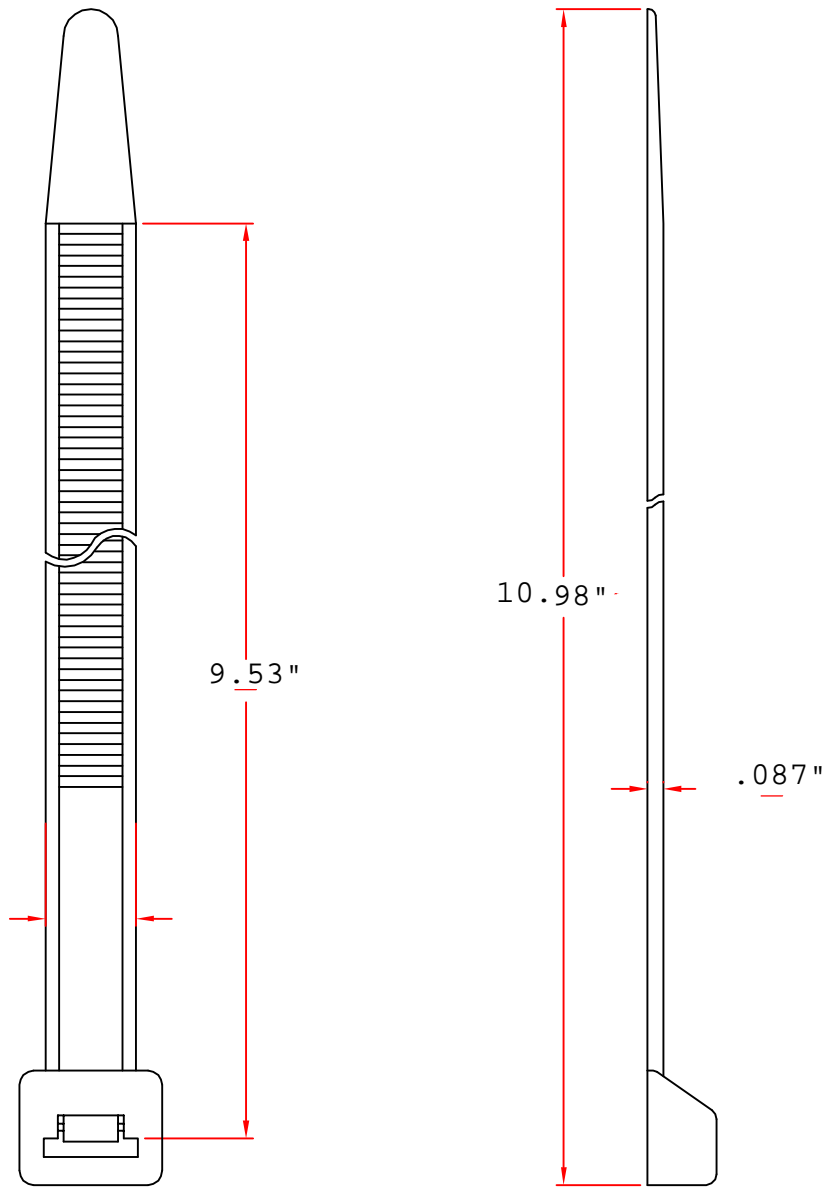
B

C

D

E

F



Morris Products
Queensbury NY

MATERIAL-UL 94V-2
NYLON 66

ITEM NO. 20092

SCALE

250 lbs
Tensile

NAME
EXTRA HEAVY DUTY TIE



(. .)



03-23-2007
DATE

REVISIONS K001

R.NO.