



Catalog Number See Table
UPC Number
Description Cable Tie - Natural
 175 Lb Tensile Strength



Features

- Durable Nylon 6/6 Material
- Low Profile Locking Head
- Bent Tip for ease of insertion into locking head

General

Material: Nylon 6/6
Flammability: UL94V-2

Dimension Information

Length: See Table
Width: See Table
Bundle Dia: See Table

Specifications

Temperature Rating Negative 40 to 185⁰ F
Voltage Rating 600
Flammability Rating UL 94V-2
Tensile Strength: 175 Lbs

Packaging

Bag Qty 100

Certifications

UL Yes
CSA Yes
ROHS Yes

Cat. No.	Tensil Strength (Lbs.)	Length (Inches)	Width (Inches)	Max Bundle Dia (Inches)	Bag Qty	Master Bag Qty	
20082	175	17 3/4	0.312	5.24	100	100	
20084	175	21 5/8	0.312	6.54	100	100	
20085	175	24	0.351	7.28	100	100	
20086	175	30	0.351	9.29	100	100	
20087	175	36	0.351	10.63	100	100	
20088	175	46	0.351	14.17	100	100	
20089	175	48	0.351	14.96	100	100	

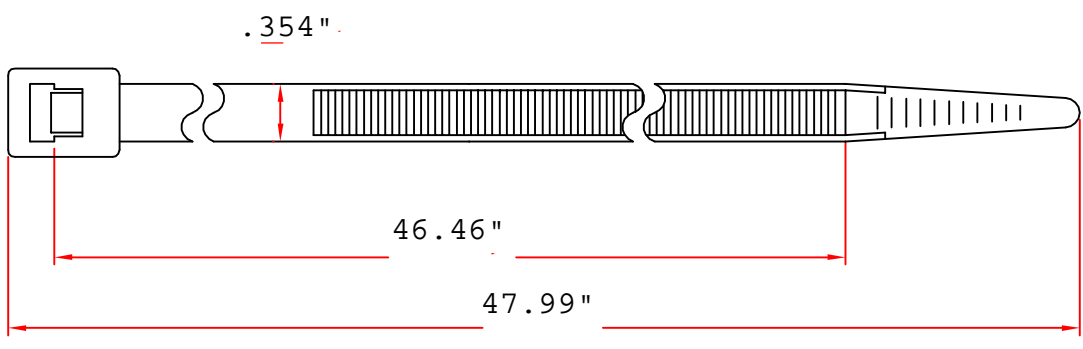


1 2 3 4

A
B
C
D
E
F



.079"



.354"

46.46"

47.99"

1
7
5

Morris Products
Queensbury NY

MATERIAL-UL 94V-2
NYLON 66

ITEM NO. 20089

SCALE

175 lbs
Tensile

NAME

NYLON CABLE TIE



(. . .)



03-22-2007
DATE

REVISIONS K001

R.NO.