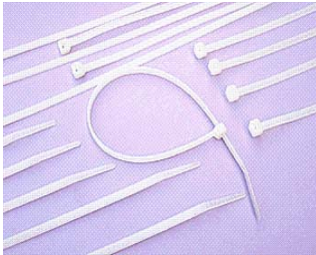




Catalog Number            See Table  
 UPC Number  
 Description                 Cable Tie - Natural  
                                      18 Lb Tensile Strength



**Features**

- Durable Nylon 6/6 Material
- Low Profile Locking Head
- Bent Tip for ease of insertion into locking head

**General**

Material:                    Nylon 6/6  
 Flammability:             UL94V-2

**Dimension Information**

Length:                     See Table  
 Width:                      See Table  
 Bundle Dia:                See Table

**Specifications**

Temperature Rating        Negative 40 to 185<sup>0</sup> F  
 Voltage Rating             600  
 Flammability Rating        UL 94V-2  
 Tensile Strength:           18 Lbs

**Packaging**

Bag Qty                     100

**Certifications**

UL                            Yes  
 CSA                          Yes  
 ROHS                         Yes

Cat. No.	Tensile Strength (Lbs.)	Length (Inches)	Width (Inches)	Max Bundle Dia (Inches)	Bag Qty	Master Bag Qty
20012	18	3	0.094	0.71	100	1000
20014	18	4	0.098	0.99	100	1000
20016	18	4 3/4	0.098	1.18	100	1000
20018	18	5 1/2	0.098	1.38	100	1000
20020	18	6 1/2	0.098	1.73	100	1000
20022	18	8	0.098	2.17	100	1000



14515-99 HH



E-10035



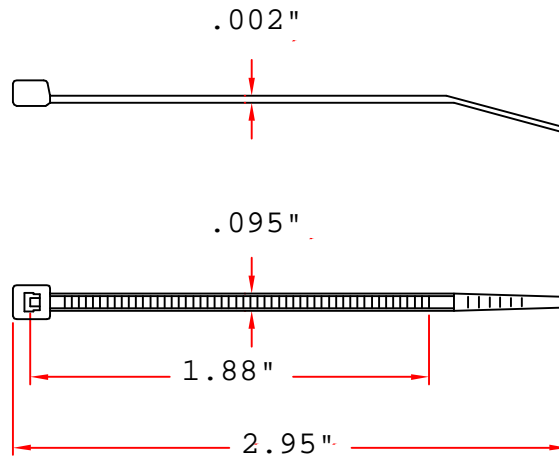
06/10038



40022513



ABS



Morris Products  
Queensbury NY

MATERIAL-UL 94V-2  
NYLON 66

ITEM NO. 20012

SCALE

18 LBS  
Tensile

NAME

NYLON CABLE TIE



( . . )



03-20-2007  
DATE

REVISIONS K001

R.NO.