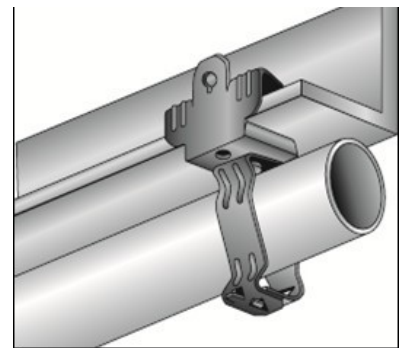
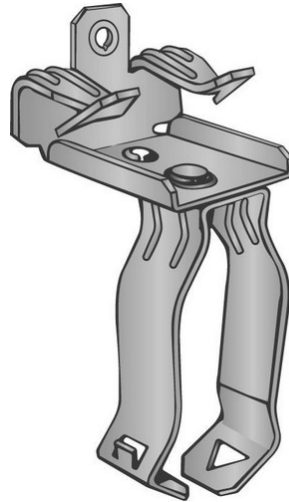




Flange Mount Conduit Assembly Bottom Mount - Posi-Lock MORRIS CAT#: 18050-18212



Static Load Limit: 75 lbs

DIMENSIONS = INCHES

<i>CAT. NO.</i>	<i>FLANGE THICKNESS</i>	<i>FITS CONDUIT</i>	<i>BOX QTY</i>
18200	1/8 TO 1/4	3/8	100
18050	1/8 TO 1/4	1/2 & 3/4	100
18202	1/8 TO 1/4	1	100
18211	5/16 TO 1/2	1/2 & 3/4	100
18212	5/16 TO 1/2	1	100

Features:

1. Suspends conduit from bottom of beam
2. Locking Clip Snaps Closed to Ensure Positive Lock on Load
3. Will pivot 360 degrees
4. Installs with hammer only
5. Accommodates flange thickness 1/8" - 1/2"
6. Static Load Limit: 75 lbs
7. cULus Listed
8. Order Qty of 1 = 1 Piece