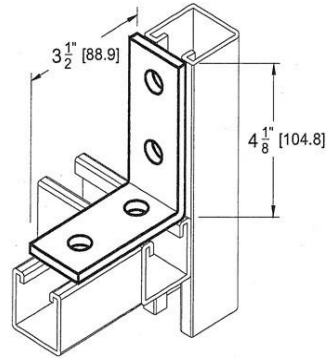




Morris CAT#: 17634 4 Hole 3 Way Corner Angle



Features:

- 4 Hole 3 Way Corner Angle have Zinc Electro-Plate Finish
- 1-5/8" wide x 1/4" thick
- Holes are 9/16" diameter
- 13/16" center to edge

<i>CAT. NO.</i>	<i>BOX QTY</i>
17634	25