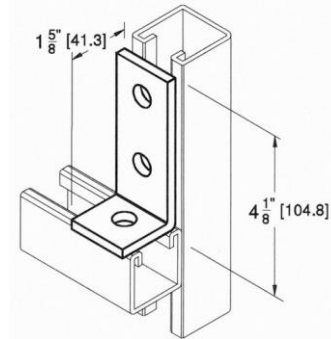




**Morris CAT#: 17633**  
**3 Hole Cross Corner Angle**



**Features:**

- 3 Hole Cross Corner Angle have Zinc Electro-Plate Finish
- 1-5/8" wide x 1/4" thick
- Holes are 9/16" diameter
- 13/16" center to edge

| <b>CAT.<br/>NO.</b> | <b>BOX<br/>QTY</b> |
|---------------------|--------------------|
| <b>17633</b>        | <b>50</b>          |