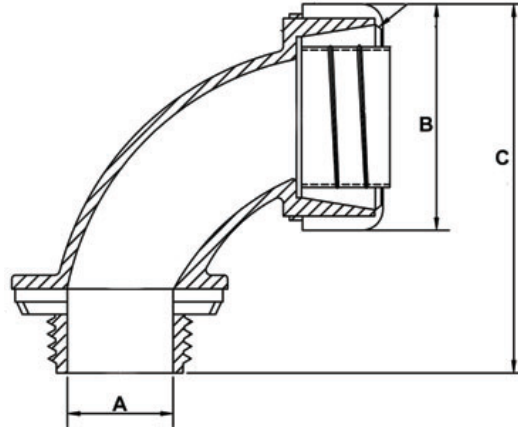




Morris CAT#: 15291-15301
 90° Liquid Tight Connectors -
 Insulated Throat - Zinc Die Cast



Features:

- 90° Orientation
- Terminate and Seal Liquid-tight Flexible Metal Core Conduit to either Oil-tight, Liquid-tight or Rain-tight Box or Enclosure
- Connectors can be used with Tapered Threaded Female Entry or Unthreaded Knockout using the Sealing Washer and Locknut provided
- Insulated Throat
- Zinc Die Cast
- UL/CSA Listed
- Order Qty of 1 = 1 Piece

DIMENSIONS = INCHES

| CAT. NO. | TRADE SIZE | DIMENSIONS | | | INNER BOX | OUTER BOX |
|----------|------------|------------|------|------|-----------|-----------|
| | | A | B | C | | |
| 15291 | 3/8" | .56 | 1.30 | 2.09 | 15 | 150 |
| 15292 | 1/2" | .56 | 1.30 | 2.15 | 15 | 150 |
| 15293 | 3/4" | .73 | 1.57 | 2.69 | 10 | 100 |
| 15294 | 1" | .93 | 1.81 | 2.98 | 5 | 50 |
| 15295 | 1-1/4" | 1.22 | 1.46 | 3.40 | 4 | 40 |
| 15296 | 1-1/2" | 1.46 | 2.50 | 3.80 | 2 | 20 |
| 15297 | 2" | 1.87 | 3.01 | 4.27 | 1 | 10 |
| 15298 | 2-1/2" | 2.32 | 3.72 | 5.39 | - | 6 |
| 15299 | 3" | 2.93 | 4.33 | 6.13 | - | 4 |
| 15300 | 3-1/2" | 3.33 | 4.86 | 6.55 | - | 3 |
| 15301 | 4" | 3.86 | 5.24 | 6.98 | - | 3 |