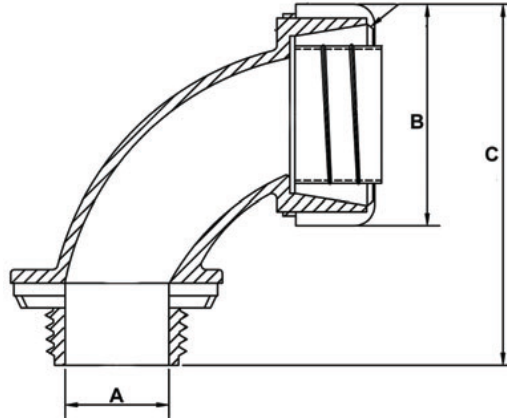




Morris CAT#: 15280-15290
90° Liquid Tight Connectors -
Zinc Die Cast



Features:

- 90° Orientation
- Terminate and Seal Liquid-tight Flexible Metal Core Conduit to either Oil-tight, Liquid-tight or Rain-tight Box or Enclosure
- Connectors can be used with Tapered Threaded Female Entry or Unthreaded KO using the Sealing Washer and Locknut
- Zinc Die Cast
- UL/CSA Listed
- Order Qty of 1 = 1 Pieces

DIMENSIONS = INCHES

CAT. NO.	TRADE SIZE	DIMENSIONS			INNER BOX	OUTER BOX
		A	B	C		
15280	3/8"	.61	1.30	2.04	15	150
15281	1/2"	.61	1.30	2.10	15	150
15282	3/4"	.81	1.57	2.64	10	100
15283	1"	1.00	1.81	2.93	5	50
15284	1-1/4"	1.36	2.26	3.34	4	40
15285	1-1/2"	1.61	2.50	3.74	2	20
15286	2"	2.05	3.01	4.21	1	10
15287	2-1/2"	2.48	3.72	5.31	-	6
15288	3"	3.10	4.33	6.05	-	4
15289	3-1/2"	3.54	4.86	6.47	-	3
15290	4"	4.10	5.24	6.90	-	3