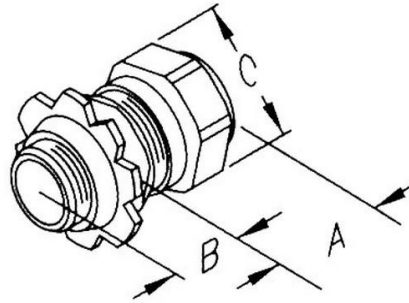




**MORRIS CAT#: 14980-14989**  
**Steel EMT Rain Tight Compression Connectors**  
**Insulated Throat**



**Features:**

- Use to connect EMT conduit to steel outlet box, load center, or other metal enclosure in dry or wet location
- Internal Sealing Ring & Knockout Gasket create Raintight Seal
- Heavy Steel Walls, Zinc Plated
- Male NPS Hub Thread
- Insulated throat
- Concrete Tight
- UL Listed for EMT Conduit
- 2-1/2" - 4" are also UL Listed for use with Rigid & IMC

DIMENSIONS = INCHES

CAT. NO.	TRADE SIZE	DIMENSIONS			INNER BOX	OUTER BOX
		A	B	C		
14980	1/2"	1.18	.51	1.08	50	500
14981	3/4"	1.46	.51	1.35	25	250
14982	1"	1.61	.57	1.65	10	100
14983	1-1/4"	1.69	.61	2.02	10	100
14984	1-1/2"	2.00	.61	2.24	10	50
14985	2"	2.36	.67	2.76	5	50
14986	2-1/2"	2.87	.83	3.62	-	12
14987	3"	3.07	.83	4.25	-	12
14988	3-1/2"	3.42	.83	4.80	-	6
14989	4"	3.54	.83	5.24	-	6