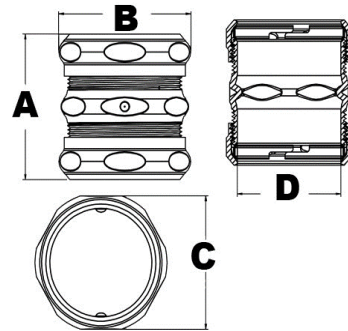




Morris CAT#: 14960-14969
Steel EMT Compression Couplings



Features:

- Use to join to lengths of EMT conduit together
- Heavy Gauge Zinc Plated Steel
- Concrete tight (When Taped)
- UL Listed for EMT Conduit
- 2-1/2" - 4" are also UL Listed for use with Rigid & IMC

DIMENSIONS = INCHES

CAT. NO.	TRADE SIZE	DIMENSIONS				INNER BOX	OUTER BOX
		A	B	C	D		
14960	1/2"	1.72	1.06	1.00	.73	25	250
14961	3/4"	1.73	1.30	1.22	.95	25	250
14962	1"	1.91	1.59	1.48	1.19	10	100
14963	1-1/4"	2.53	2.08	1.93	1.54	-	25
14964	1-1/2"	2.62	2.27	2.16	1.77	-	20
14965	2"	2.78	2.72	2.57	2.22	-	10
14966	2-1/2"	3.94	3.70	3.46	2.93	-	8
14967	3"	4.17	4.38	4.02	3.58	-	4
14968	3-1/2"	4.70	4.68	4.62	4.05	-	4
14969	4"	4.96	5.40	5.02	4.58	-	6