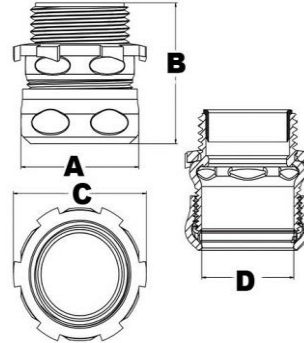




Morris CAT#: 14940-14949
Steel EMT Compression Connectors



Features:

- Use to connect EMT conduit to steel outlet box, load center, or other metal enclosure
- Heavy Gauge Zinc Plated Steel
- Male hub threads - NPSM
- Concrete tight (When Taped)
- UL Listed for EMT Conduit
- 2-1/2" - 4" are also UL Listed for use with Rigid & IMC

DIMENSIONS = INCHES

CAT. NO.	TRADE SIZE	DIMENSIONS				INNER BOX	OUTER BOX
		A	B	C	D		
14940	1/2"	1.06	1.37	1.13	.73	25	250
14941	3/4"	1.30	1.46	1.38	.95	25	250
14942	1"	1.59	1.58	1.72	1.19	-	75
14943	1-1/4"	2.08	2.05	2.06	1.54	-	25
14944	1-1/2"	2.27	2.13	2.37	1.77	-	20
14945	2"	2.72	2.24	2.89	2.22	-	10
14946	2-1/2"	3.46	3.27	3.52	2.93	-	8
14947	3"	4.02	3.50	4.20	3.58	-	4
14948	3-1/2"	4.62	3.78	4.79	4.05	-	4
14949	4"	5.02	3.80	5.32	4.58	-	6