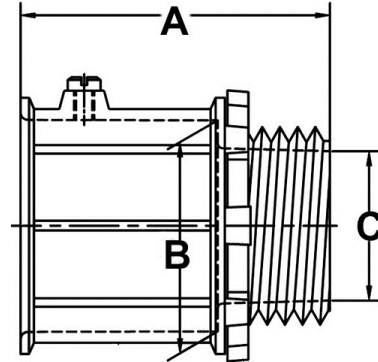




**Morris CAT#: 14850-14859**  
**EMT Set Screw Connectors -**  
**Zinc Die Cast**



**Features:**

- Use to connect EMT Conduit to Steel Outlet Box, Load Center, or other Metal Enclosures
- Concrete Tight (When Taped)
- Die-Cast Zinc
- Male hub threads NPS
- Pre-Set/Pre-Staked Combo Head Set-Screws
- UL Listed for EMT Conduit
- 2-1/2" - 4" are also UL Listed for use with Rigid & IMC
- 2-1/2" - 4" Uses 2 Set Screws

DIMENSIONS = INCHES

CAT. NO.	TRADE SIZE	DIMENSIONS			INNER BOX	OUTER BOX
		A	B	C		
14850	1/2"	1.06	.72	.59	50	500
14851	3/4"	1.25	.94	.78	25	250
14852	1"	1.46	1.18	1.00	25	200
14853	1-1/4"	1.93	1.53	1.32	10	100
14854	1-1/2"	2.09	1.76	1.53	10	60
14855	2"	2.36	2.22	1.99	5	40
14856	2-1/2"	2.95	2.92	2.35	-	12
14857	3"	3.15	3.55	2.95	-	12
14858	3-1/2"	3.52	4.05	3.43	-	6
14859	4"	3.62	4.55	3.91	-	6