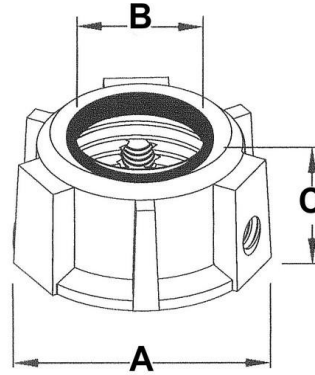




Morris CAT#: 14540-14549
Conduit Bushings with Insulated Throat -
Zinc Die Cast



Features:

- Used with a locknut to terminate threaded Rigid and IMC conduit to a box or enclosure
- Bushings rounded surface prevents damage to wire insulation during pulling
- Insulated Throat

DIMENSIONS = INCHES

CAT. NO.	TRADE SIZE	DIMENSIONS			INNER BOX	OUTER BOX
		A	B	C		
14540	1/2"	1.06	.53	.45	140	1400
14541	3/4"	1.28	.78	.47	100	1,000
14542	1"	1.53	1.00	.53	50	500
14543	1-1/4"	1.89	1.31	.59	30	300
14544	1-1/2"	2.17	1.53	.59	20	200
14545	2"	2.64	1.99	.59	15	150
14546	2-1/2"	3.19	2.63	.79	-	75
14547	3"	3.82	2.95	.81	-	65
14548	3-1/2"	4.31	3.41	.81	-	50
14549	4"	4.84	3.91	.81	-	40