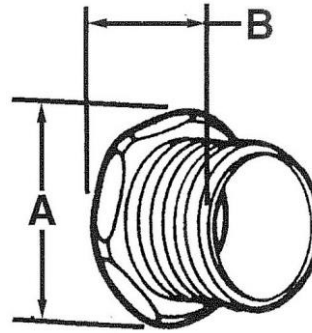




14502-14504
1" Long Conduit Speed Nipple
Zinc Die Cast



Features:

- Use with Rigid Coupling to Terminate Threaded Conduit to a Knockout, Box or Enclosure, where space is limited within the box
- Use with a Locknut to provide a Short Raceway between Boxes and enclosures

DIMENSIONS = INCHES

CAT. NO.	TRADE SIZE	DIMENSIONS		INNER BOX	OUTER BOX
		A	B		
14502	1/2"	1.04	1.00	100	1,000
14503	3/4"	1.34	1.00	50	500
14504	1"	1.63	1.00	25	250