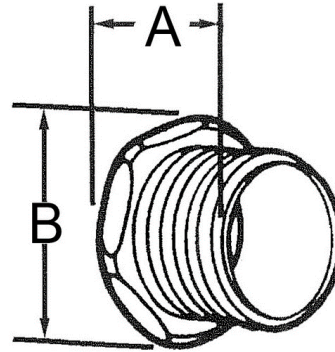




Morris CAT#: 14490-14499
Rigid Nipples with Insulated Throat -
Zinc Die Cast



Features:

- Use with Rigid Coupling to Terminate Threaded Conduit to a Knockout, Box or Enclosure where space is limited within the box
- Used with a Locknut to provide a Short Raceway between Boxes and Enclosures
- Insulated Throat

DIMENSIONS = INCHES

CAT. NO.	TRADE SIZE	DIMENSIONS		INNER BOX	OUTER BOX
		A	B		
14490	1/2"	.68	.98	100	1,000
14491	3/4"	.82	1.18	100	1,000
14492	1"	.85	1.50	50	500
14493	1-1/4"	1.00	1.77	25	250
14494	1-1/2"	1.13	2.17	25	150
14495	2"	1.14	2.60	15	90
14496	2-1/2"	1.16	3.09	-	20
14497	3"	1.33	3.71	-	20
14498	3-1/2"	1.35	4.24	-	10
14499	4"	1.35	4.70	-	10