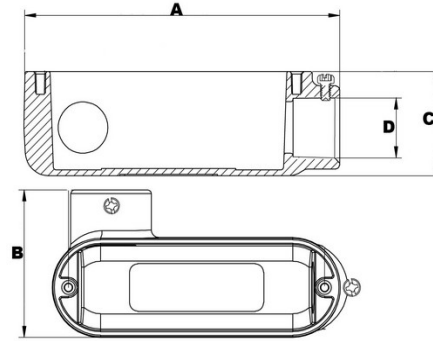




**Morris CAT#: 14200-14205**  
**Aluminum EMT Set Screw Conduit Bodies**  
**LL Type**



**Features:**

- Set Screw for EMT Conduit
- RainTight when used with Gasketed Covers
- Die-Cast from High-Strength, Corrosion and Weather Resistant Copper Free Aluminum Alloy
- Flat Back Design for easy mounting close to walls
- For use with EMT Conduit
- Cover & Gasket not included

DIMENSIONS = INCHES

CAT. NO.	TRADE SIZE	DIMENSIONS-LL SERIES				BOX QTY
		A	B	C	D	
14200	1/2"	4.31	2.03	1.36	.72	50
14201	3/4"	5.08	2.30	1.63	.96	50
14202	1"	5.92	2.68	1.89	1.18	25
14203	1-1/4"	7.82	3.52	2.50	1.52	10
14204	1-1/2"	7.82	3.52	2.50	1.76	10
14205	2"	10.05	4.27	3.41	2.21	10