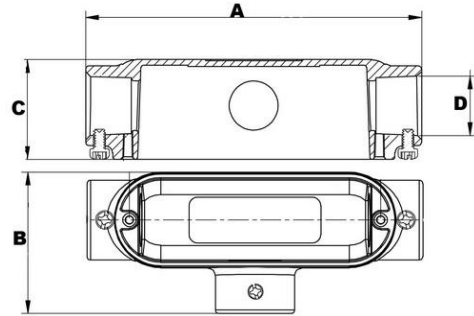




Morris CAT#: 14170-14175
Aluminum EMT Set Screw Conduit Bodies
T Type



Features:

- Set Screw for EMT Conduit
- RainTight when used with Gasketed Covers
- Die-Cast from High-Strength, Corrosion and Weather Resistant Copper Free Aluminum Alloy
- Flat Back Design for easy mounting close to walls
- For use with EMT Conduit
- Cover & Gasket included

DIMENSIONS = INCHES

CAT. NO.	TRADE SIZE	DIMENSIONS-T SERIES				BOX QTY
		A	B	C	D	
WITH COVER AND GASKET						
14170	1/2"	4.75	2.03	1.36	.72	50
14171	3/4"	5.51	2.30	1.63	.96	50
14172	1"	6.46	2.68	1.89	1.18	25
14173	1-1/4"	8.35	3.52	2.50	1.53	10
14174	1-1/2"	8.36	3.52	2.50	1.76	10
14175	2"	10.55	4.27	3.41	2.21	10