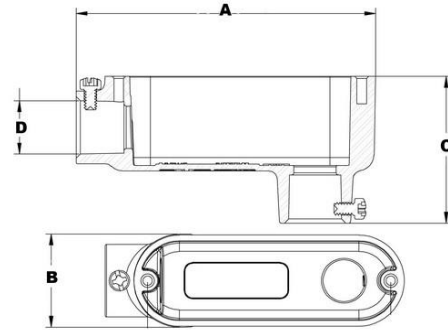




**Morris CAT#: 14150-14155**  
**Aluminum EMT Set Screw Conduit Bodies**  
**LB Type**



**Features:**

- Set Screw for EMT Conduit
- RainTight when used with Gasketed Covers
- Die-Cast from High-Strength, Corrosion and Weather Resistant Copper Free Aluminum Alloy
- Flat Back Design for easy mounting close to walls
- For use with EMT Conduit
- Cover & Gasket included

DIMENSIONS = INCHES

| CAT. NO.                     | TRADE SIZE | DIMENSIONS-LB SERIES |      |      |      | BOX QTY |
|------------------------------|------------|----------------------|------|------|------|---------|
|                              |            | A                    | B    | C    | D    |         |
| <b>WITH COVER AND GASKET</b> |            |                      |      |      |      |         |
| 14150                        | 1/2"       | 4.31                 | 1.34 | 2.09 | .72  | 50      |
| 14151                        | 3/4"       | 5.08                 | 1.56 | 2.39 | .96  | 50      |
| 14152                        | 1"         | 5.92                 | 1.82 | 2.78 | 1.18 | 25      |
| 14153                        | 1-1/4"     | 7.82                 | 2.51 | 3.52 | 1.53 | 10      |
| 14154                        | 1-1/2"     | 7.82                 | 2.51 | 3.52 | 1.76 | 10      |
| 14155                        | 2"         | 10.05                | 3.19 | 4.51 | 2.21 | 10      |