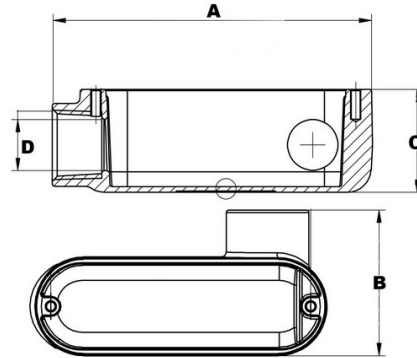




**Morris CAT#: 14080-14089**  
**Aluminum Rigid Conduit Bodies**  
**LR Type-Threaded**



**Features:**

- Tapered Threaded Hubs (NPT)
- RainTight when used with Gasketed Covers
- Die-Cast from High-Strength, Corrosion and Weather Resistant Copper Free Aluminum Alloy
- Flat Back Design for easy mounting close to walls
- For use with Rigid or IMC Conduit
- Cover & Gasket not included

DIMENSIONS = INCHES

CAT. NO.	TRADE SIZE	DIMENSIONS-LR SERIES				BOX QTY
		A	B	C	D	
I4080	1/2"	4.31	2.03	1.36	.61	50
I4081	3/4"	5.08	2.30	1.63	.81	50
I4082	1"	5.92	2.68	1.89	1.04	25
I4083	1-1/4"	7.82	3.52	2.50	1.37	10
I4084	1-1/2"	7.82	3.52	2.50	1.60	10
I4085	2"	10.05	4.27	3.41	2.06	10
I4086	2-1/2"	12.83	5.89	3.98	2.46	1
I4087	3"	12.83	5.89	4.53	3.06	1
I4088	3-1/2"	15.65	7.66	5.59	3.54	1
I4089	4"	15.65	7.66	5.59	4.02	1