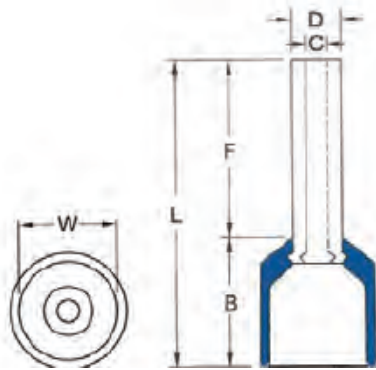




**MORRIS CAT#: 12720**  
**Nylon Insulated Ferrules - Din Standard - 20**  
**Awg .394" Pin Length Gray**



**Features:**

Nylon Insulated Ferrules 20 Awg .394" Pin Length features include:

- Ensures Gas Tight Termination in IEC Style Din Rail Mounted Terminal Blocks and other Terminations
- Manufactured from High Strength Electrolytic Seamless Tubular Copper
- Electro-Tin Plated for corrosion resistance
- Flared Barrel for Ease of Wire Insertion
- Available in Multiple Pin Lengths to accommodate a variety of Terminal Blocks Styles
- 221°F (105°C)
- 600 Volts Max
- Max Current: 22 AWG - 9 Amp, 20 AWG - 12 Amp, 18 AWG - 17 Amp, 16 AWG - 18 Amp, 14 AWG - 30 Amp, 12 AWG - 35 Amp, 10 AWG - 50 Amp
- UL Recognized
- Dimension Measurements = Inches
- Order Qty of 100 = 1 Bag of 100

**MAXIMUM ELECTRIC CURRENT:**

AWG	22	20	18	16	14	12	10
AMP	9	12	17	18	30	35	50

**TERMINAL MATERIAL:**

Electro-Tin Plated Tubular Copper

**INSULATION MATERIAL:** Nylon Insulation

**FEATURES:** Flared Barrel, Expanded Insulation

**MAXIMUM ELECTRIC RATING:** 221°F (105°C) 600V

**COLOR CODE:** DIN Standard

DIMENSIONS = INCHES

CAT. NO.	WIRE SIZE AWG	COLOR	F	B	L	W	D	C	BAG QTY	MASTER BAG QTY
12720	20	GREY	.394	.260	.630	.110	.059	.047	100	1,000