



Catalog Number 12164
UPC Number 60198612164
Description Vinyl Insulated Parallel Splice Connector
16-14 AWG

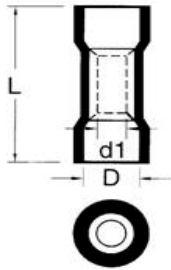


Features

- Color Coded insulation for easy identification
- Manufactured from high strength copper alloy
- Electro-tin plated for corrosion resistance
- Easy entry expanded insulation eliminates strand “Hang Up”, increases the crimping rates and the reliability of the termination
- Wire range stamped on the surface for easy interpretation
- Funneled barrel & flared insulation sleeve provides excellent contact & mechanical stress relief at insulation & barrel junction

General

Insulation Type Vinyl
Material Tubular Copper
Finish Electro-Tin Plated
Color Blue
Wire Range 16-14
Stud Size N/A



Dimension Information

L Inches (mm) 0.512
D Inches (mm) 0.177
D1 Inches (mm) 0.091

Specifications

Temperature Rating 75°C
Voltage Rating 600 V
Flammability Rating UL94V-O
Amp Rating 14 AWG 30 Amps
16 AWG 18 Amps

Packaging

Bag Qty 100
Master Bag Qty 1000

Certifications

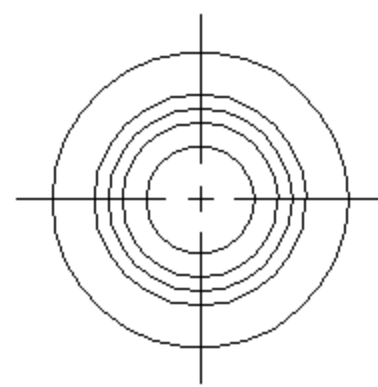
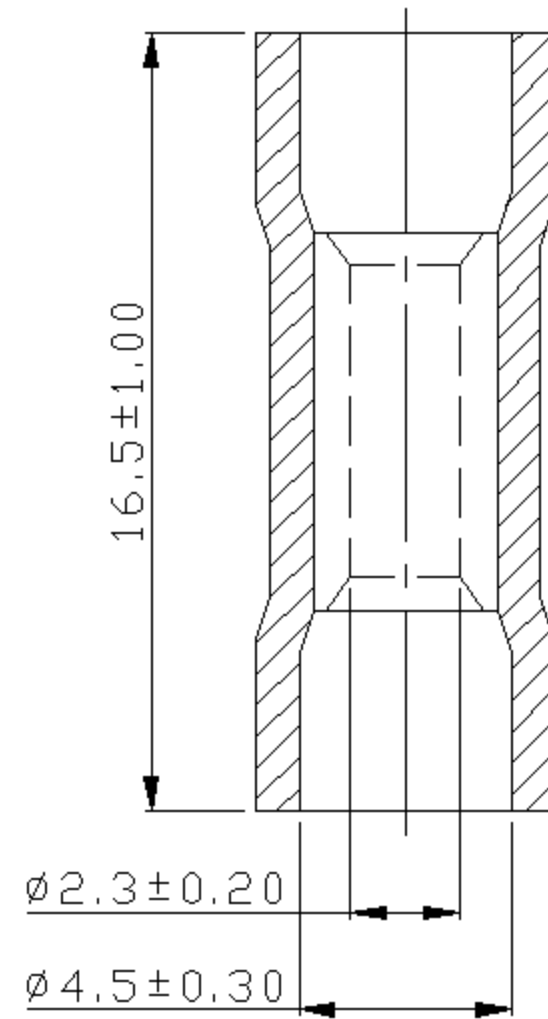
UL Yes
cUL Yes
RoHS Yes

Morris Products 53 Carey Road, Queensbury, NY 12804

www.morrisproducts.com



REV	DESCRIPTION	DATE
-----	-------------	------



- NOTE:
1. MAXIMUM ELECTRIC CURRENT :

A.W.G.	16	14	
AMP.	18	30	
 2. MAXIMUM ELECTRICAL RATING : 75°C 600 VOLTS MAX.
 3. INSULATION MATERIAL : VINYL
 4. INSULATION COLOR : BLUE
 5. CONNECTOR MATERIAL : COPPER TUBULAR
 6. WIRE RANGE : 16-14 A.W.G.(1.5-2.5 mm²)
 7. TERMINALS SURFACE TREATMENT : TIN PLATED

Tolerance Unless Otherwise Specified		
0 > 6 mm	± 0.20	ANGLE
6 > 18 mm	± 0.30	0° REF ±
18 > 30 mm	± 0.40	±
30 > 75 mm	± 0.50	±

NAME	VINYL-INSULATED PARALLELE CONNECTORS			UNIT	mm	
PART NO.	12164	MATERIAL	-----	APPROVE		
NUMBER		SCALE	SHEET	PAGE	CHECKED	
DATE	2006/07/20	3/1	1-0	10F1	DRAWN	

Morris Products Inc.