



Catalog Number 11984
UPC Number 60198611984
Description Nylon Fully Insulated Male Disconnect
16-14 AWG



Features

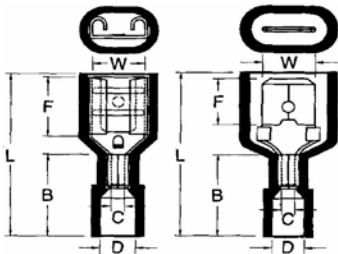
- Nylon Color Coded insulation for easy identification
- Manufactured from high strength copper alloy
- Electro-tin plated for corrosion resistance
- Expanded insulation eliminates strand “Hang Up”, provides strain relief & excellent UV, temperature and chemical resistance
- Wire range stamped on the surface for easy interpretation
- Brazed seams prevent splitting under maximum pressure
- Serrated barrel & extended crimp sleeve provides excellent electrical contact & pull-out force resistance

General

Insulation Type Nylon
Material Brass/Copper
Finish Electro-Tin Plated
Color Blue
Wire Range 16-14
Tab Size .250 X .032

Dimension Information

Stock Thickness 0.016
L Inches (mm) 0.976
B Inches (mm) 0.433
C Inches (mm) 0.091
D Inches (mm) 0.197
F Inches (mm) 0.303
W Inches (mm) 0.25



Specifications

Temperature Rating 105°C
Voltage Rating 600 V
Flammability Rating UL94V-O
Amp Rating 16 AWG 10 Amps
14 AWG 15 Amps

Packaging

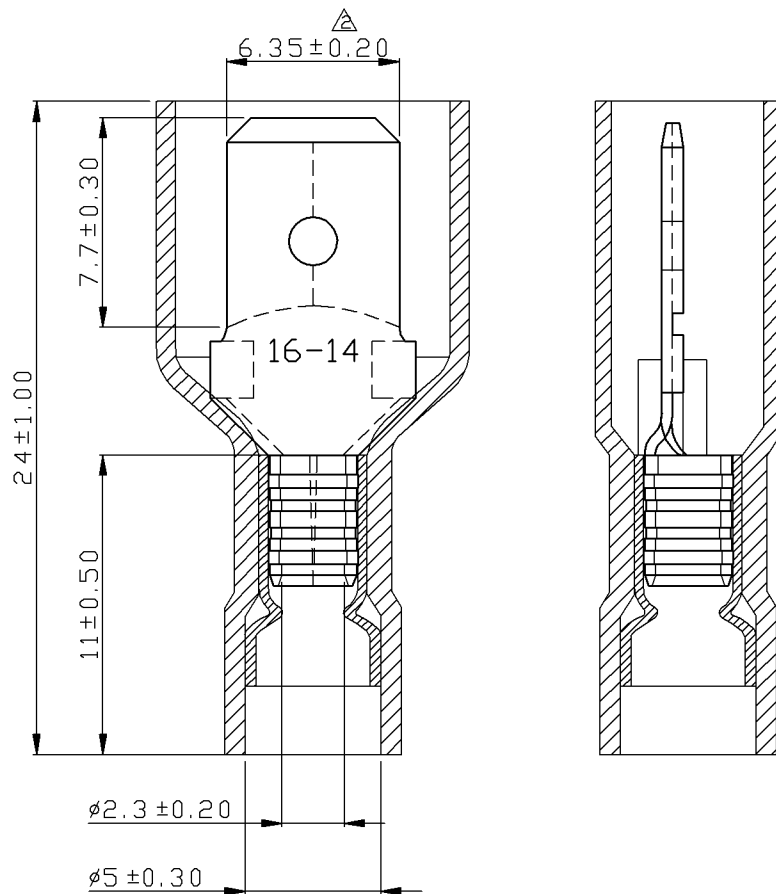
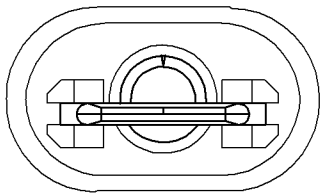
Bag Qty 100
Master Bag Qty 1000

Certifications

UL Yes
cUL Yes
RoHS Yes

Morris Products 53 Carey Road, Queensbury, NY 12804

www.morrisproducts.com



REV	DESCRIPTION	DATE
-----	-------------	------

△ RDK-96019

2007/03/19

△ RDC-98411

2009/12/09

NOTE :

1. MAXIMUM ELECTRIC CURRENT :

A.W.G.	16	14	
AMP.	10	15	
2. MAXIMUM ELECTRICAL RATING : 105°C 600 VOLTS MAX.
3. INSULATION MATERIAL : NYLON
4. INSULATION COLOR : BLUE
5. TERMINAL MATERIAL : BRASS
6. WIRE RANGE : 16-14 A.W.G. (1.5-2.5 mm²)
7. NEMA TAB : 0.032 inch * 0.250 inch (0.8 mm * 6.35 mm)
8. DOUBLE CRIMP : WITH COPPER SLEEVE ON BARREL
9. TERMINAL SURFACE TREATMENT : TIN PLATED
10. TERMINAL THICKNESS : 0.40 mm
- △ 11. THE ASSEMBLY AT UPSIDE OR DOWNSIDE MALE DISCONNECTOR INTO HOUSING IS NORMAL AND MUST NOT AFFECT THE FUNCTION AND THE SIZE

Tolerance Unless Otherwise Specified	
0 > 6 mm ± 0.20	ANGLE
6 > 18 mm ± 0.30	0° ° REF ±
18 > 30 mm ± 0.40	° ° ±
30 > 75 mm ± 0.50	° ° ±

NAME	NYLON-FULLY INSULATED DOUBLE CRIMP MALE DISCONNECTORS			UNIT	
PART NO.	11984	MATERIAL	-----	APPROVE	
NUMBER		SCALE	SHEET	PAGE	CHECKED
DATE	2006/08/16	4/1	1-2	10F2	DRAWN

Morris Products Inc.