



Catalog Number 11982
UPC Number 60198611982
Description Nylon Fully Insulated Male Disconnect
 22-16 AWG



Features

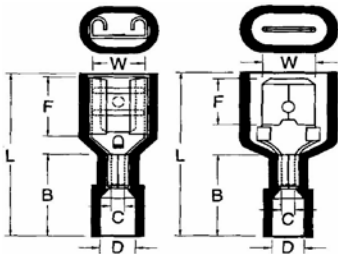
- Nylon Color Coded insulation for easy identification
- Manufactured from high strength copper alloy
- Electro-tin plated for corrosion resistance
- Expanded insulation eliminates strand “Hang Up”, provides strain relief & excellent UV, temperature and chemical resistance
- Wire range stamped on the surface for easy interpretation
- Brazed seams prevent splitting under maximum pressure
- Serrated barrel & extended crimp sleeve provides excellent electrical contact & pull-out force resistance

General

Insulation Type Nylon
Material Brass/Copper
Finish Electro-Tin Plated
Color Red
Wire Range 22-16
Tab Size .250 X .032

Dimension Information

Stock Thickness 0.016
L Inches (mm) 0.976
B Inches (mm) 0.433
C Inches (mm) 0.067
D Inches (mm) 0.157
F Inches (mm) 0.303
W Inches (mm) 0.25



Specifications

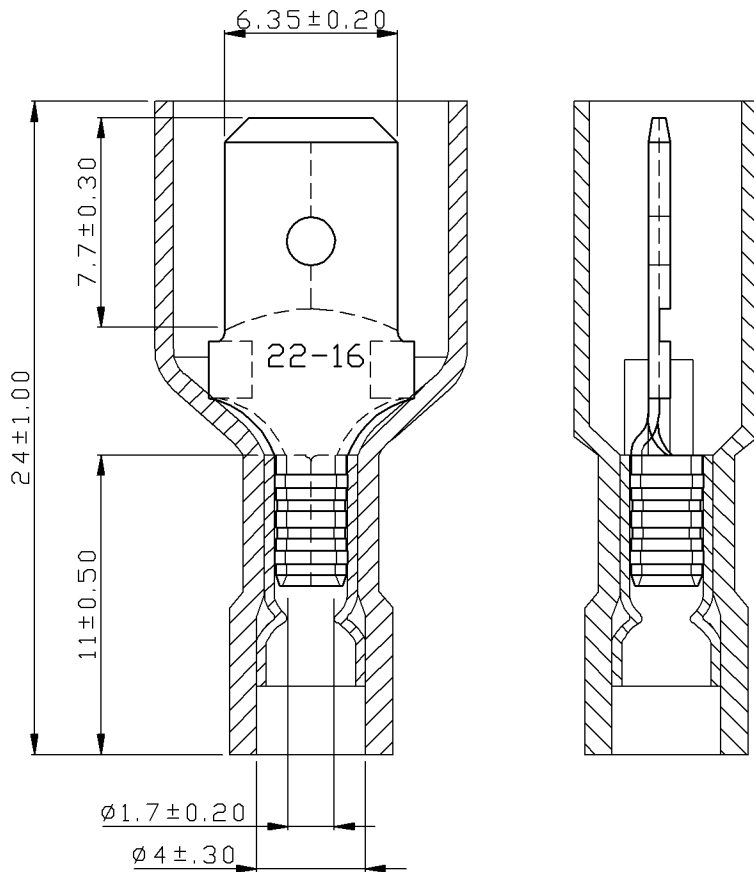
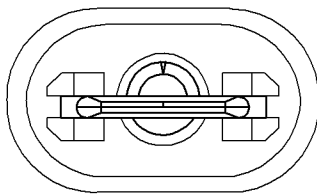
Temperature Rating 105°C
Voltage Rating 600 V
Flammability Rating UL94V-O
Amp Rating 22 AWG 3 Amps
 20 AWG 4 Amps
 18 AWG 7 Amps
 16 AWG 10 Amps

Packaging

Bag Qty 100
Master Bag Qty 1000

Certifications

UL Yes
cUL Yes
RoHS Yes



REV	DESCRIPTION	DATE
△ RDK-96019		2007/03/15

NOTE :

1. MAXIMUM ELECTRIC CURRENT :

A.W.G.	22	20	18	16
AMP.	3	4	7	10
2. MAXIMUM ELECTRICAL RATING : 105°C 600 VOLTS MAX.
3. INSULATION MATERIAL : NYLON
4. INSULATION COLOR : RED
5. TERMINAL MATERIAL : BRASS
6. WIRE RANGE : 22-16 A.W.G. (0.5-1.5 mm²)
7. NEMA TAB : 0.032 inch * 0.250 inch (0.8 mm * 6.35 mm)
8. DOUBLE CRIMP : WITH COPPER SLEEVE ON BARREL
9. TERMINAL SURFACE TREATMENT : TIN PLATED
10. TERMINAL THICKNESS : 0.40 mm
- △ 11. THE ASSEMBLY AT UPSIDE OR DOWNSIDE MALE DISCONNECTOR INTO HOUSING IS NORMAL AND MUST NOT AFFECT THE FUNCTION AND THE SIZE

Tolerance Unless Otherwise Specified	
0 > 6 mm ± 0.20	ANGLE
6 > 18 mm ± 0.30	0° > ° REF ±
18 > 30 mm ± 0.40	° > ° ±
30 > 75 mm ± 0.50	° > ° ±

NAME	NYLON-FULLY INSULATED DOUBLE CRIMP MALE DISCONNECTORS			UNIT	
PART NO.	11982	MATERIAL	-----	APPROVE	---
NUMBER		SCALE	SHEET	PAGE	CHECKED
DATE	2006/08/16	4/1	1-1	10F2	DRAWN

Morris Products Inc.