



Catalog Number 11932
UPC Number 60198611932
Description Nylon Insulated Female Disconnect Connectors
 12-10 AWG

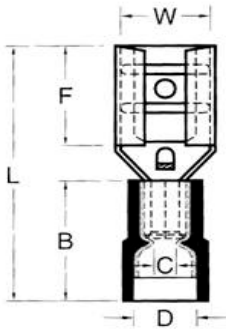


Features

- Nylon Color Coded insulation for easy identification
- Manufactured from high strength copper alloy
- Electro-tin plated for corrosion resistance
- Expanded insulation eliminates strand “Hang Up”, provides strain relief & excellent UV, temperature and chemical resistance
- Wire range stamped on the surface for easy interpretation
- Brazed seams prevent splitting under maximum pressure
- Serrated barrel provides excellent electrical contact & pull-out force resistance

General

Insulation Type Nylon
 Material Brass
 Finish Electro-Tin Plated
 Color Yellow
 Wire Range 12-10
 Tab Size .032 X .187



Dimension Information

Stock Thickness 0.016
 L Inches (mm) 0.866
 B Inches (mm) 0.512
 C Inches (mm) 0.134
 D Inches (mm) 0.256
 F Inches (mm) 0.256
 W Inches (mm) 0.197

Specifications

Temperature Rating 105°C
 Voltage Rating 300 V
 Flammability Rating UL94V-O
 Amp Rating 12 AWG 35 Amps
 10 AWG 50 Amps

Packaging

Bag Qty 100
 Master Bag Qty 1000

Certifications

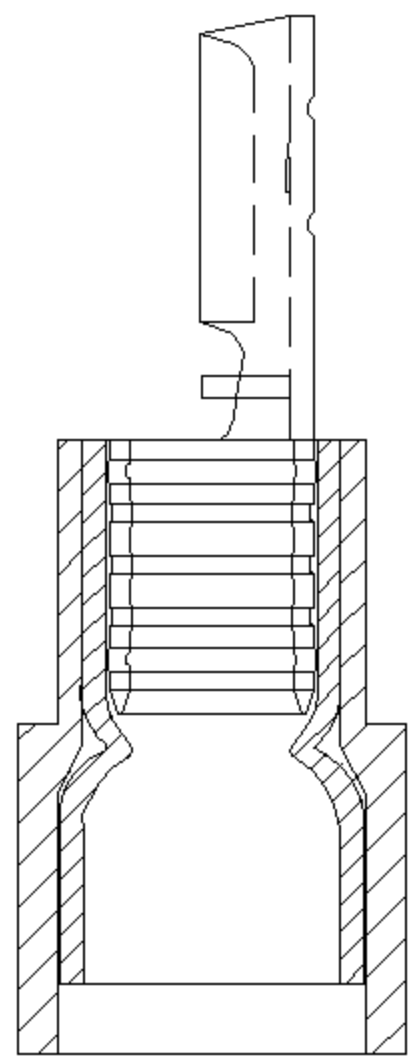
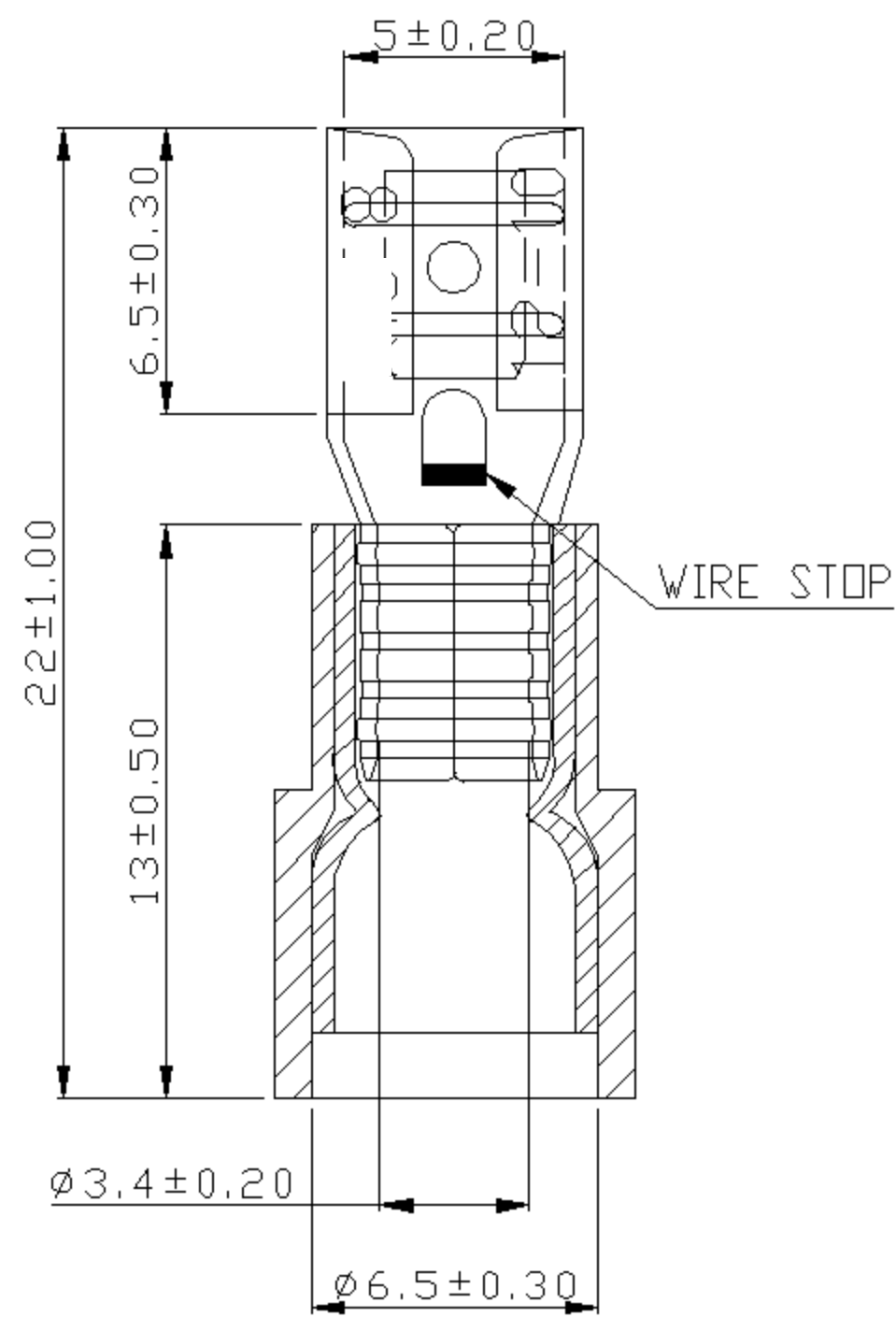
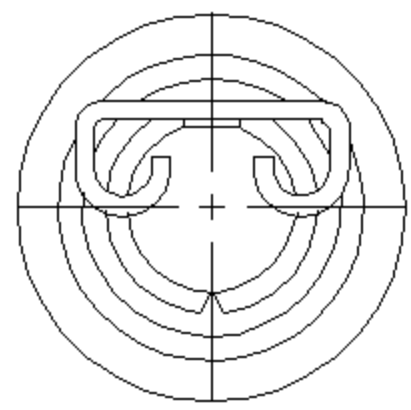
UL Yes
 cUL Yes
 RoHS Yes

Morris Products 53 Carey Road, Queensbury, NY 12804

www.morrisproducts.com



REV	DESCRIPTION	DATE
-----	-------------	------



NOTE:

- MAXIMUM ELECTRIC CURRENT :

A.W.G.	12	10	
AMP.	20	24	
- MAXIMUM ELECTRICAL RATING : 105°C 600 VOLTS MAX.
- INSULATION MATERIAL : NYLON
- INSULATION COLOR : YELLOW
- TERMINAL MATERIAL : BRASS
- WIRE RANGE : 12-10 A.W.G.(4-6 mm²)
- TERMINAL SURFACE TREATMENT : TIN PLATED
- DOUBLE CRIMP : WITH COPPER SLEEVE ON BARREL
- NEMA TAB : 0.032 * 0.187 (0.8 * 4.75)
- TERMINAL THICKNESS : 0.35 mm

Tolerance Unless Otherwise Specified	
0 > 6 mm ±0.20	ANGLE
6 > 18 mm ±0.30	0° REF ±
18 > 30 mm ±0.40	° ±
30 > 75 mm ±0.50	° ±

NAME	NYLON-INSULATED DOUBLE CRIMP FEMALE DISCONNECTORS			UNIT	
PART NO.	11932	MATERIAL	-----	APPROVE	
NUMBER		SCALE	SHEET	PAGE	CHECKED
DATE	2006/09/07	4/1	1-0	10F2	DRAWN

Morris Products Inc.