



**Catalog Number** 11778  
**UPC Number** 60198611778  
**Description** Vinyl Insulated Flanged Fork Spade Terminal  
 12-10 AWG



**Features**

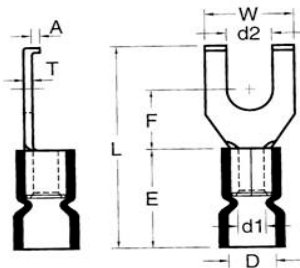
- Color Coded insulation for easy identification
- Manufactured from high strength copper alloy
- Electro-tin plated for corrosion resistance
- Easy entry expanded insulation eliminates strand “Hang Up”, increases the crimping rates and the reliability of the termination
- Wire range stamped on the surface for easy interpretation
- Butted seams prevent splitting under maximum pressure
- Serrated barrel & flared insulation sleeve provides excellent contact & mechanical stress relief at insulation & barrel junction
- Flanged tabs increase pull-out resistance

**General**

Insulation Type Vinyl  
 Material Copper Tubular/Copper Plate  
 Finish Electro-Tin Plated  
 Color Yellow  
 Wire Range 12-10  
 Stud Size #8

**Dimension Information**

L Inches (mm) 1.106  
 D Inches (mm) 0.248  
 D1 Inches (mm) 0.134  
 D2 Inches (mm) 0.169  
 E Inches (mm) 0.555  
 F Inches (mm) 0.295  
 W Inches (mm) 0.335  
 T Inches (mm) 0.039



**Specifications**

Temperature Rating 105°C  
 Voltage Rating 600 V  
 Flammability Rating UL94V-O  
 Amp Rating 12 AWG 35 Amps  
 10 AWG 50 Amps

**Packaging**

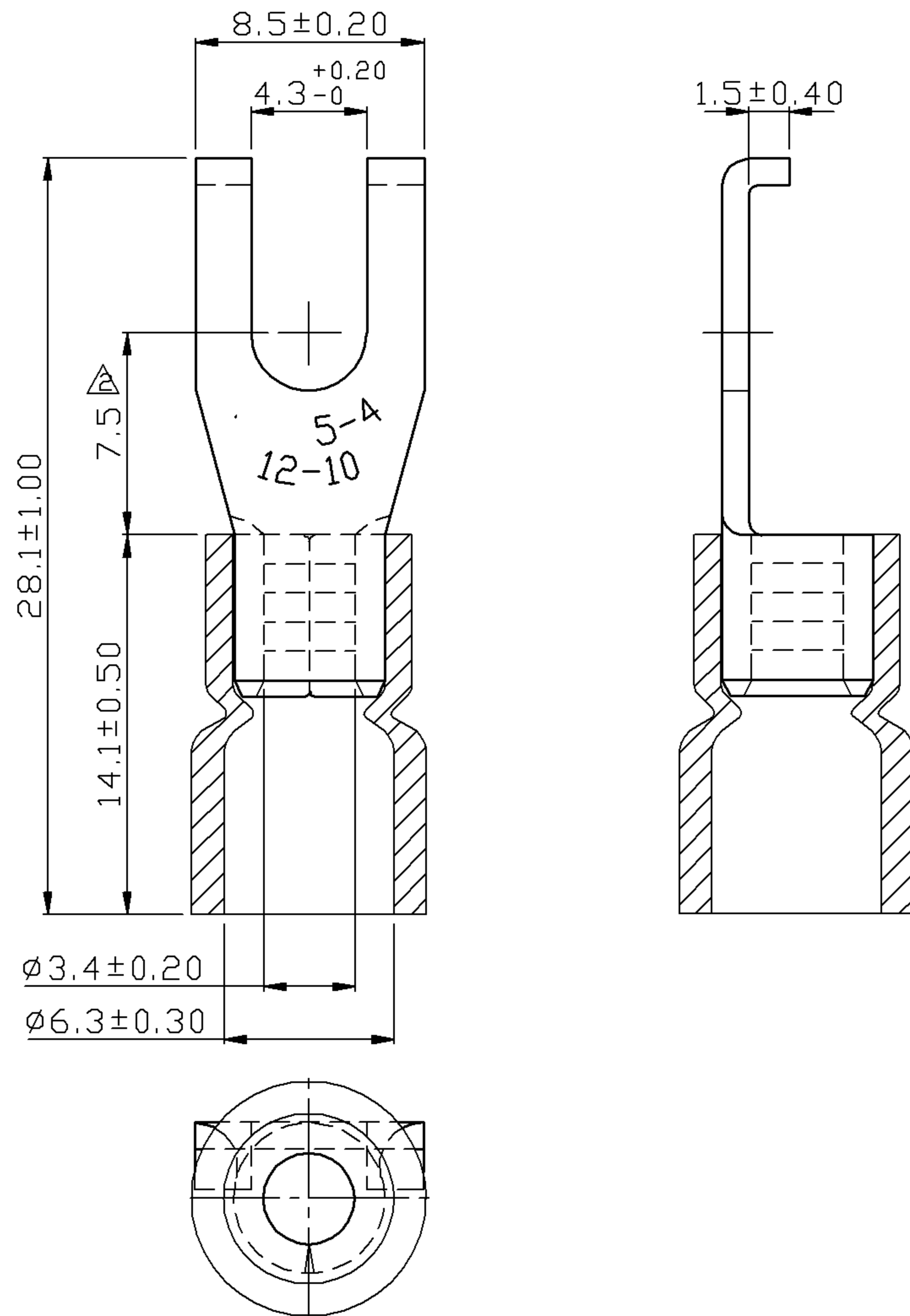
Bag Qty 100  
 Master Bag Qty 1000

**Certifications**

UL Yes  
 cUL Yes  
 RoHS Yes



REV	DESCRIPTION	DATE
△	RDK-97048	2009/07/14
△	RDK-97127	2009/07/14
△	RDK-98020	2009/07/14



NOTE :

- MAXIMUM ELECTRIC CURRENT : 

A.W.G.	12	10	
AMP.	35	50	
- MAXIMUM ELECTRICAL RATING : 105°C 600 VOLTS MAX.
- INSULATION MATERIAL : VINYL
- INSULATION COLOR : YELLOW
- TERMINAL MATERIAL : COPPER
- WIRE RANGE : 12-10 A.W.G. ( 4-6 mm<sup>2</sup> )
- TERMINAL SURFACE TREATMENT : TIN PLATED
- TERMINAL THICKNESS : 1.00 mm

△	Tolerance Unless Otherwise Specified		
0 >	mm ±	ANGLE	
>	mm ±	0° >	° REF ±
>	mm ±	° >	° ±
>	mm ±	° >	° ±

NAME	VINYL-INSULATED(EASY ENTRY) FLANGE SPADE TERMINALS			UNIT	mm	
PART NO.	11778	MATERIAL	-----	APPROVE		
NUMBER		SCALE	SHEET	PAGE	CHECKED	
DATE	2008/01/03	3/1	1-3	10F2	DRAWN	

Morris Products Inc.  
53 Carey Rd Queensbury, NY 12804