



**Catalog Number** 11648  
**UPC Number** 60198611648  
**Description** Nylon Insulated Fork Spade Terminal  
 6 AWG

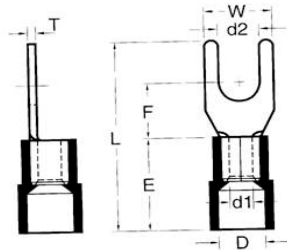


### Features

- Color Coded insulation for easy identification
- Manufactured from high strength copper alloy
- Electro-tin plated for corrosion resistance
- Easy entry expanded insulation eliminates strand “Hang Up”, increases the crimping rates and the reliability of the termination
- Wire range stamped on the surface for easy interpretation
- Brazed seams prevent splitting under maximum pressure
- Serrated barrel & flared insulation sleeve provides excellent contact & mechanical stress relief at insulation & barrel junction

### General

**Insulation Type** Nylon  
**Material** Copper Tubular/Copper Plate  
**Finish** Electro-Tin Plated  
**Color** Blue  
**Wire Range** 6  
**Stud Size** 5/16



### Dimension Information

**L Inches (mm)** 1.555  
**D Inches (mm)** 0.433  
**D1 Inches (mm)** 0.228  
**D2 Inches (mm)** 0.315  
**E Inches (mm)** 0.846  
**F Inches (mm)** 0.421  
**W Inches (mm)** 0.543  
**T Inches (mm)** 0.059

### Specifications

**Temperature Rating** 105°C  
**Voltage Rating** 600 V  
**Flammability Rating** UL94V-O  
**Amp Rating** 6 AWG 95 Amps

### Packaging

**Bag Qty** 100  
**Master Bag Qty** 1000

### Certifications

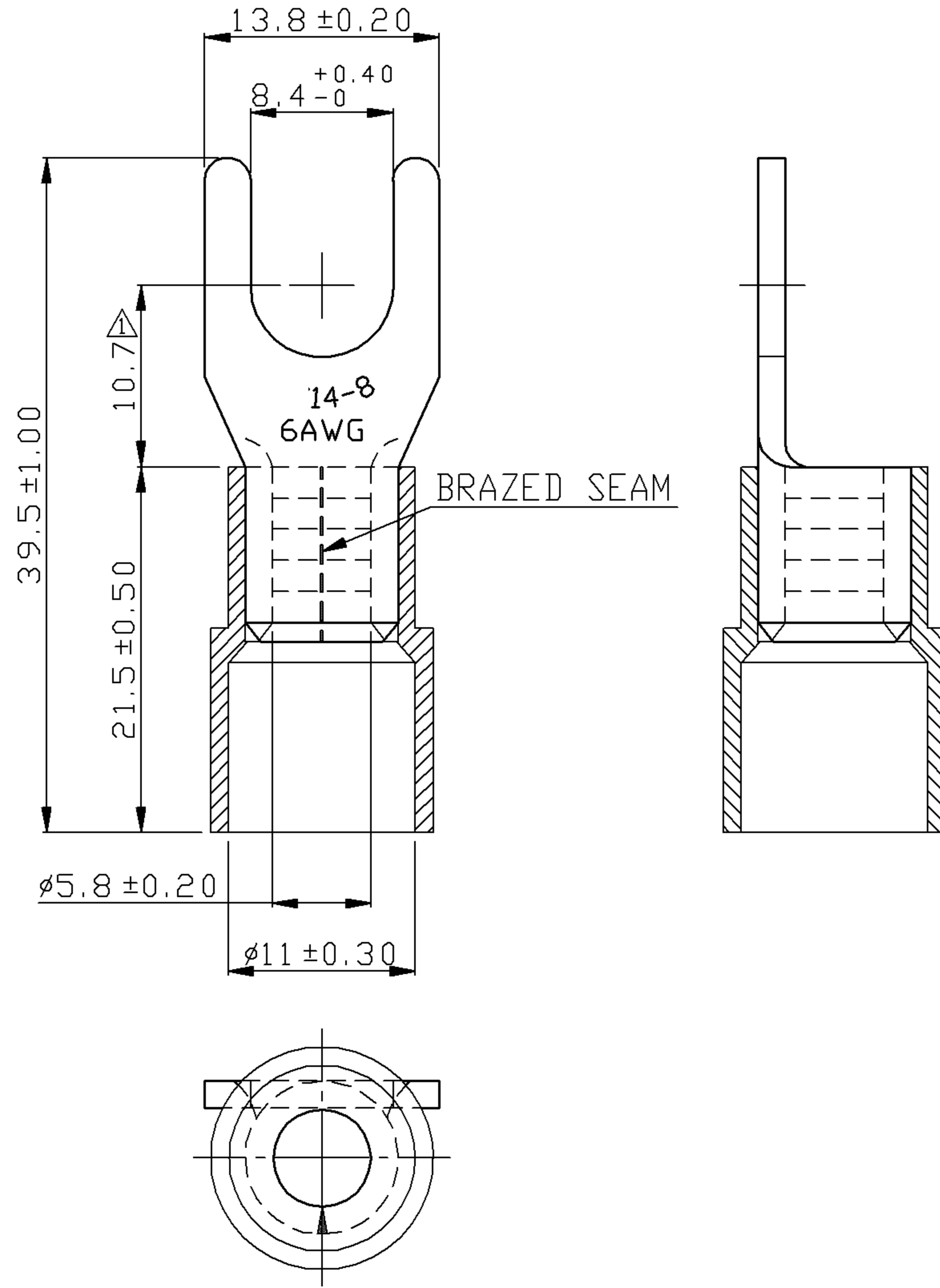
**UL** Yes  
**cUL** Yes  
**RoHS** Yes

Morris Products 53 Carey Road, Queensbury, NY 12804

[www.morrisproducts.com](http://www.morrisproducts.com)



REV	DESCRIPTION	DATE
△	RDK-97127	2009/09/23
△	RDK-98020	2009/09/23



- NOTE :
1. MAXIMUM ELECTRIC CURRENT : 

A.W.G.	6		
AMP.	95		
  2. MAXIMUM ELECTRICAL RATING : 105°C 600 VOLTS MAX.
  3. INSULATION MATERIAL : NYLON
  4. INSULATION COLOR : BLUE
  5. TERMINAL MATERIAL : COPPER
  6. WIRE RANGE : 6 A.W.G. ( 14 mm<sup>2</sup>)
  7. TERMINAL SURFACE TREATMENT : TIN PLATED
  8. TERMINAL THICKNESS : 1.50 mm

△ Tolerance Unless	
□ Otherwise Specified	
0 >	mm ± ANGLE
>	mm ± 0° ° REF ±
>	mm ± ° ° ±
>	mm ± ° ° ±

NAME	NYLON-INSULATED SPADE TERMINALS				UNIT	mm	
PART NO.	11648	MATERIAL	-----	APPROVE			
NUMBER		SCALE	SHEET	PAGE	CHECKED		
DATE	2007/05/10	2/1	1-2	10F2	DRAWN		

Morris Products Inc.  
53 Carey Rd. Queensbury, NY 12804