



Catalog Number 11082
UPC Number 60198611082
Description Non-Insulated Ring Terminals
8 AWG



Features

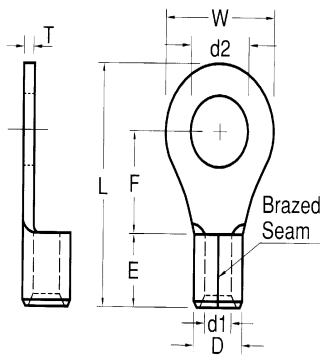
- Non-Insulated
- Manufactured from high strength copper alloy
- Electro-tin plated for corrosion resistance
- Brazed seam prevents splitting under maximum pressure
- Wire range stamped on the surface for easy interpretation

General

Insulation Type None
Material Copper
Finish Electro-tin plated
Color N/A
Wire Range 8 AWG
Stud Size 1/4

Dimension Information

L Inches (mm) 0.937
W Inches (mm) 0.472
D Inches (mm) 0.283
d1 Inches (mm) 0.177
d2 Inches (mm) 0.252
E Inches (mm) 0.337
F Inches (mm) 0.366
T Inches (mm) 0.047



Specifications

Temperature Rating 150°C
Voltage Rating 600 V
Flammability Rating N/A
Amp Rating 8 AWG 70 Amps

Packaging

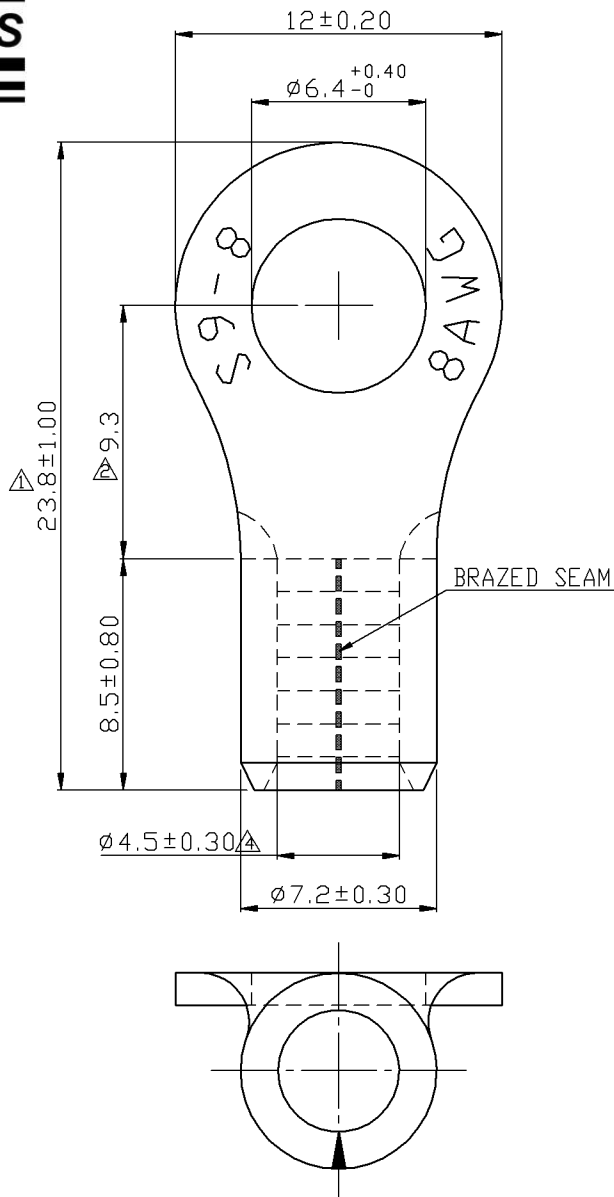
Bag Qty 100
Master Bag Qty 1000

Certifications

UL Yes
cUL Yes
RoHS Yes

Morris Products 53 Carey Road, Queensbury, NY 12804

www.morrisproducts.com



REV	DESCRIPTION	DATE
△ RDK-97127		2008/07/21
△ RDK-98020		2009/09/18
△ RDC-99179		2010/05/03

NOTE :

- MAXIMUM ELECTRIC CURRENT :

A.W.G.	8		
AMP.	70		
- WIRE RANGE : 8 A.W.G. (8 mm²)
- SURFACE TREATMENT : TIN PLATED
- THICKNESS : 1.20 mm

△ Tolerance Unless Otherwise Specified	
> mm ±	ANGLE
> mm ±	0° REF ±
> mm ±	° ±
> mm ±	° ±

NAME	NON-INSULATED RING TERMINALS			UNIT	mm	
PART NO.	11082	MATERIAL	COPPER	APPROVE		
NUMBER		SCALE	SHEET	PAGE	CHECKED	
DATE	2006/09/25	4/1	1-4	10F2	DRAWN	

Morris Products Inc.