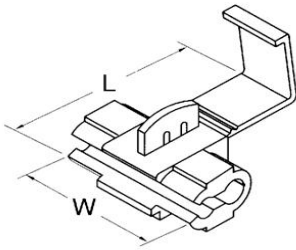




Catalog Number 10772
UPC Number 60198610772
Description In-Line Insulation Displacement Splice



Features

- Pre-insulated Insulation Displacement Splice/Tap
- Tap onto exiting conductor without service interruption

General

Insulation Type Polypropylene
Material Brass
Finish Electro-tin plated
Color Red
Wire Range 22-18
Tab Size N/A

Dimension Information

Length 1.063
Width 0.787
Height 0.51

Specifications

Temperature Rating 150°C
Voltage Rating 600 V
Flammability Rating UL94V-O
Amp Rating 22 AWG 3 Amps
20 AWG 4 Amps
18 AWG 7 Amps

Packaging

Bag Qty 25/100

Certifications

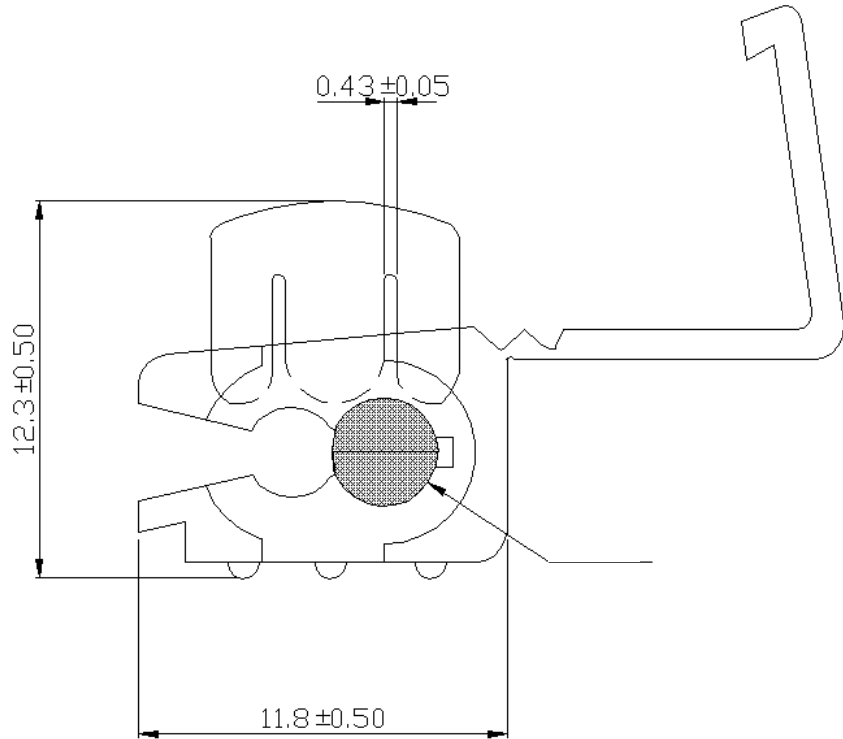
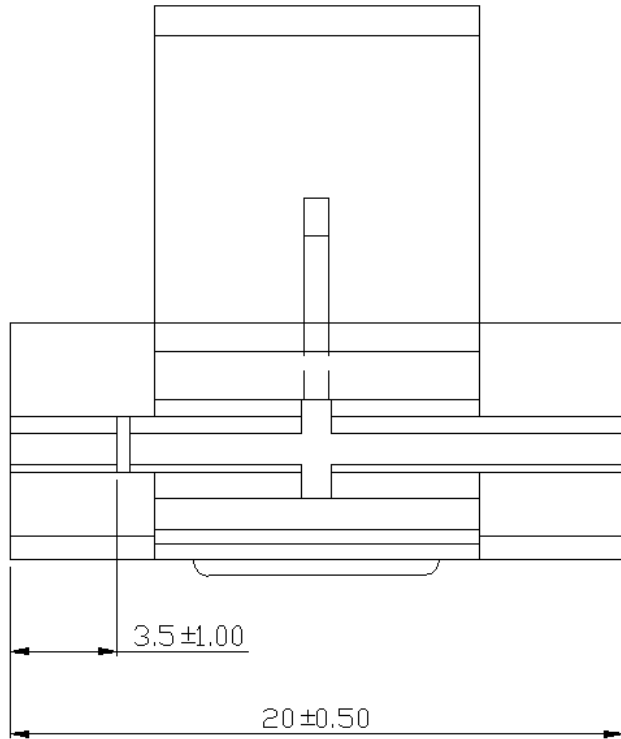
UL Yes
cUL Yes
RoHS Yes

Morris Products 53 Carey Road, Queensbury, NY 12804

www.morrisproducts.com



REV	DESCRIPTION	DATE
-----	-------------	------



NOTE:

1. MAXIMUM ELECTRIC CURRENT :

A.W.G.	22	20	18
AMP.	3	4	7
2. MAXIMUM ELECTRICAL RATING : 105°C 600 VOLTS MAX.
3. INSULATION MATERIAL : P.P.
4. INSULATION COLOR : RED
5. TERMINAL MATERIAL : BRASS
6. WIRE RANGE : 22-18 A.W.G.(0.5-0.75 mm²)

Tolerance Unless Otherwise Specified	
0 > 6 mm ± 0.20	ANGLE
6 > 18 mm ± 0.30	0° > ° REF ±
18 > 30 mm ± 0.40	° > ° ±
30 > 75 mm ± 0.50	° > ° ±

NAME	QUICK SPLICE CONNECTORS	UNIT	mm	
PART NO.	10772	MATERIAL	-----	APPROVE
NUMBER	KA-95066-C	SCALE	SHEET	PAGE
DATE	2006/02/20	4/1	1-0	10F1
				DRAWN

Morris Products Inc.