



Catalog Number 10714
UPC Number 60198610714
Description 3 Way adapter 2 Male/Single Female
Non-Insulated Disconnect .250" Tab



Features

- Non-Insulated
- Manufactured from high strength brass
- 2 - .250" male tabs parallel
- 1 - .250" Female Tab In-line

General

Insulation Type N/A
Material Brass
Finish N/A
Color N/A
Wire Range 22-10
Tab Size 0.25

Dimension Information

L Inches (mm) 0.709
W Inches (mm) 0.291

Specifications

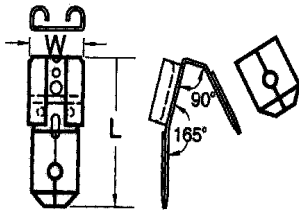
Temperature Rating N/A
Voltage Rating 600 V
Flammability Rating UL94V-O
Amp Rating 24 Amps

Packaging

Bag Qty 100

Certifications

UL Yes
cUL Yes
RoHS Yes



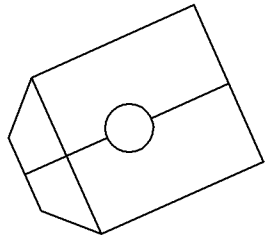
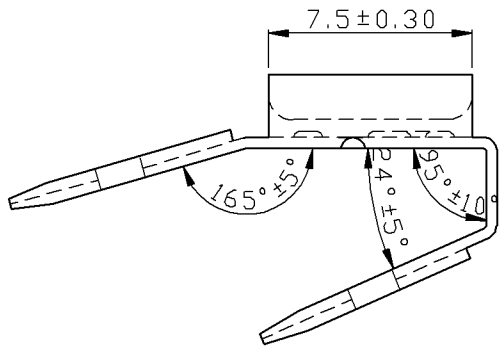
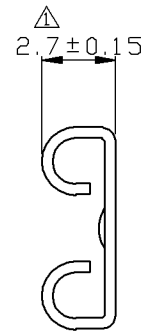
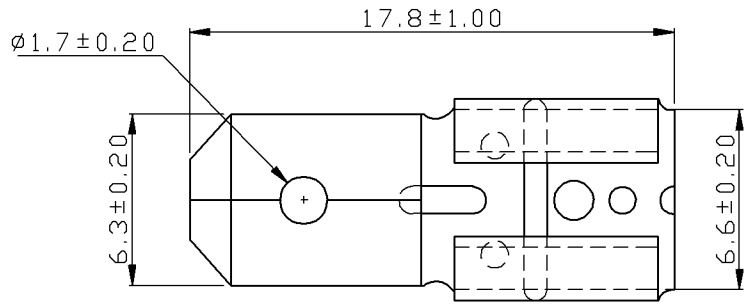
Morris Products 53 Carey Road, Queensbury, NY 12804

www.morrisproducts.com



REV	DESCRIPTION	DATE
-----	-------------	------

△ RDC-98740 2009/11/30



NOTE :

1. NEMA TAB : 0.250 inch (6.35 mm)
2. SURFACE TREATMENT : BRASS FINISH
3. DESCRIPTION : 3-WAY ADAPTER (2 MALE TAB)
5. THICKNESS : 0.4mm

Tolerance Unless Otherwise Specified	
0 > 6 mm ±0.20	ANGLE
6 > 18 mm ±0.30	0° ° REF ±
18 > 30 mm ±0.40	° ° ±
30 > 75 mm ±0.50	° ° ±

NAME	MULTI-WAY ADAPTERS	UNIT	mm	
PART NO.	10714	MATERIAL	BRASS	APPROVE
NUMBER		SCALE	SHEET PAGE	CHECKED
DATE	2007/01/17	4/1	1-1	10F2 DRAWN

Morris Products Inc.