



Catalog Number 10020
UPC Number 60198610020
Description Vinyl Insulated Ring Terminals
 22-16 AWG

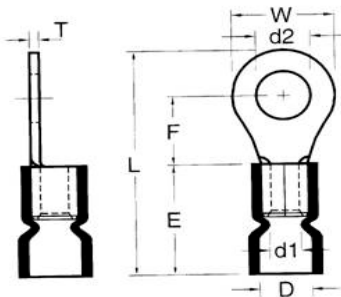


Features

- Color Coded insulation for easy identification
- Manufactured from high strength copper alloy
- Electro-tin plated for corrosion resistance
- Easy entry expanded insulation eliminates strand “Hang Up”, increases the crimping rates and the reliability of the termination
- Wire range stamped on the surface for easy interpretation
- Butted seams prevent splitting under maximum pressure
- Serrated barrel & flared position of sleeves provide excellent contact & mechanical stress relief at insulation & barrel junction
- Packed in Zip Lock plastic bags with punched hole for pegboard

General

Insulation Type Vinyl
Material Copper
Finish Electro-tin plated
Color Red
Wire Range 22-16 AWG
Stud Size 5/16



Dimension Information

L Inches (mm) 1.102
 W Inches (mm) 0.457
 D Inches (mm) 0.157
 d1 Inches (mm) 0.067
 d2 Inches (mm) 0.331
 E Inches (mm) 0.441
 F Inches (mm) 0.433
 T Inches (mm) 0.03

Specifications

Temperature Rating 105°C
Voltage Rating 600 V
Flammability Rating UL94V-O
Amp Rating 22 AWG 9 Amps
 20 AWG 12 Amps
 18 AWG 17 Amps
 16 AWG 18 Amps

Packaging

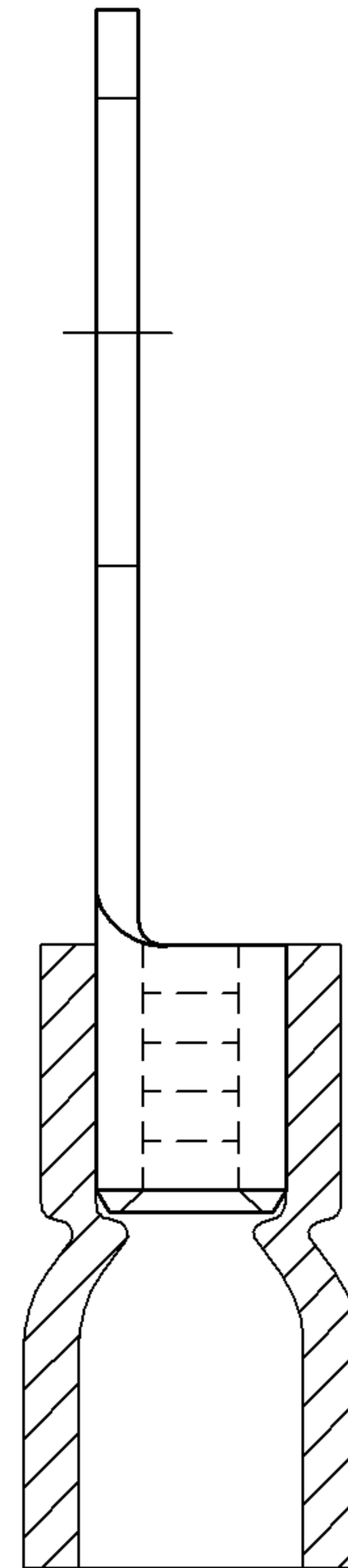
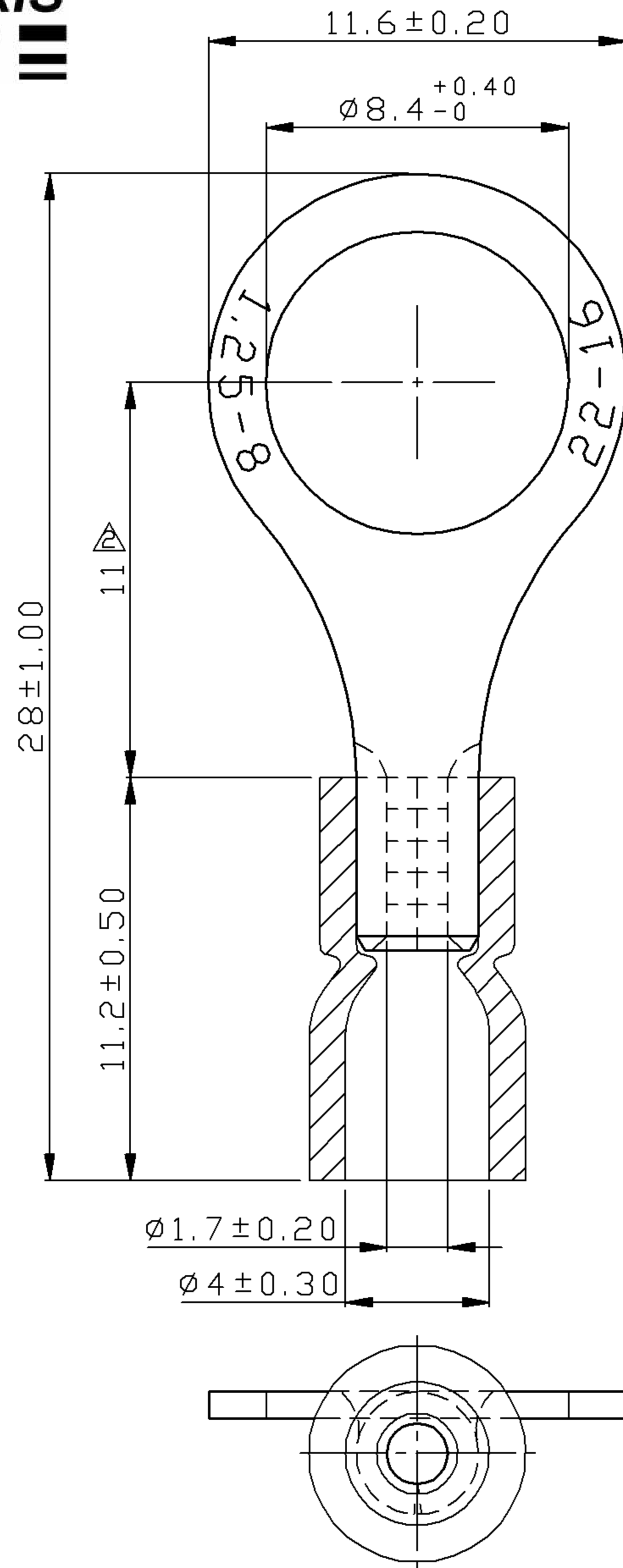
Bag Qty 100
Master Bag Qty 1000

Certifications

UL Yes
cUL Yes
RoHS Yes



| REV | DESCRIPTION | DATE |
|-----|-------------|------------|
| △ | RDK-97048 | 2009/08/20 |
| △ | RDK-97127 | 2009/08/20 |
| △ | RDK-98020 | 2009/08/20 |



NOTE :

- MAXIMUM ELECTRIC CURRENT :

| | | | | |
|--------|----|----|----|----|
| A.W.G. | 22 | 20 | 18 | 16 |
| AMP. | 9 | 12 | 17 | 18 |
- MAXIMUM ELECTRICAL RATING : 105°C 600 VOLTS MAX.
- INSULATION MATERIAL : VINYL
- INSULATION COLOR : RED
- TERMINAL MATERIAL : COPPER
- WIRE RANGE : 22-16 A.W.G. (0.5-1.5 mm²)
- TERMINAL SURFACE TREATMENT : TIN PLATED
- TERMINAL THICKNESS : 0.75 mm

| | |
|---------------------|---------|
| △ Tolerance Unless | |
| Otherwise Specified | |
| 0 > | mm ± |
| > | mm ± |
| > | mm ± |
| > | mm ± |
| | ANGLE |
| | 0° > |
| | ° REF ± |
| | ° ± |
| | ° ± |

| | | | | | | |
|----------|---------------------------------------------|----------|-------|---------|---------|--|
| NAME | VINYL-INSULATED (EASY ENTRY) RING TERMINALS | | | UNIT | mm | |
| PART NO. | 10020 | MATERIAL | ----- | APPROVE | | |
| NUMBER | | SCALE | SHEET | PAGE | CHECKED | |
| DATE | 2006/09/06 | 4/1 | 1-3 | 10F2 | DRAWN | |

Morris Products Inc.
53 Carey Rd Queensbury, NY 12804