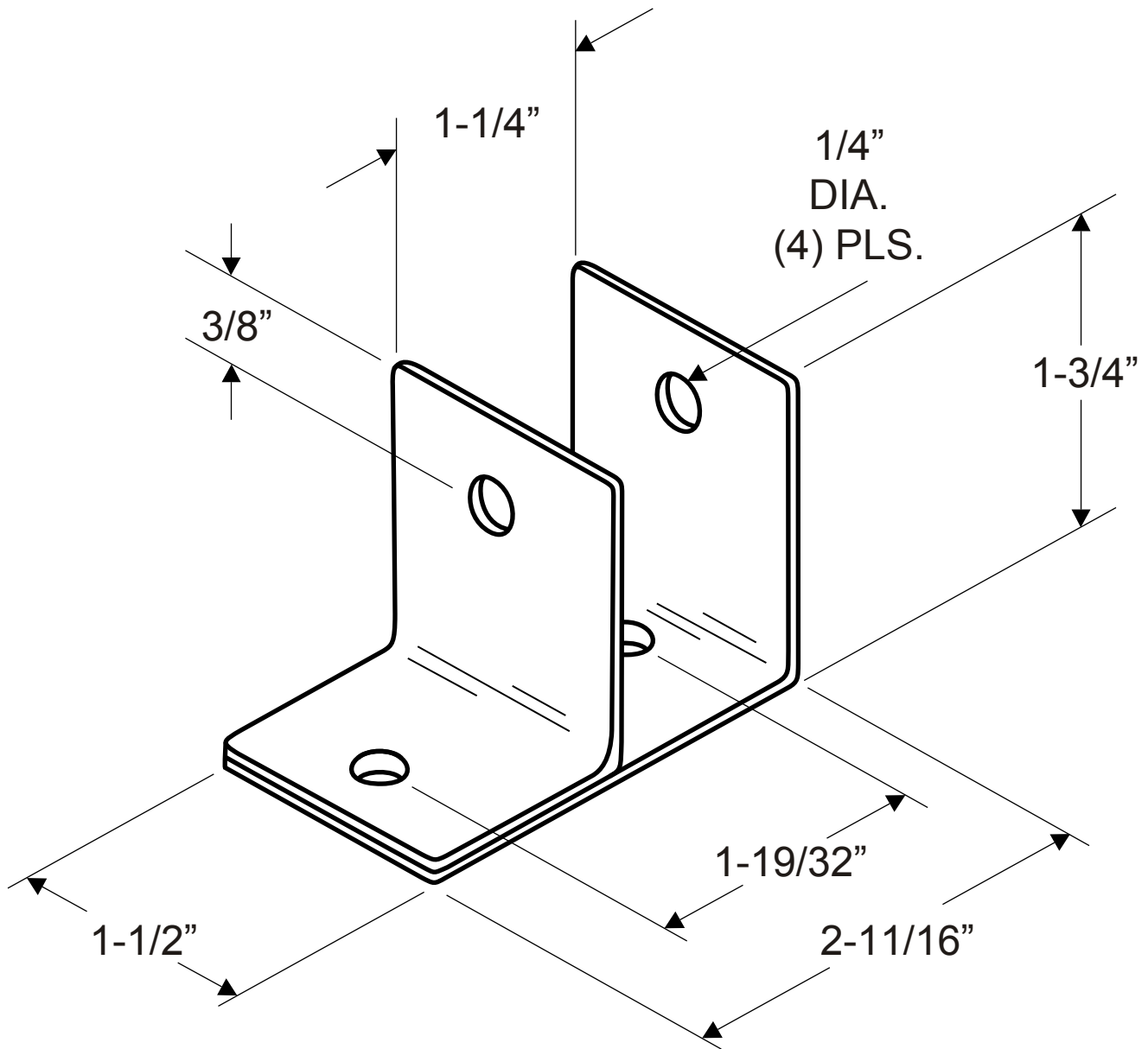


1859
(WALL BRACKET - ONE EAR MINI 1-1/4")



NOTE: 14 GAUGE (.075" THICK STAINLESS)