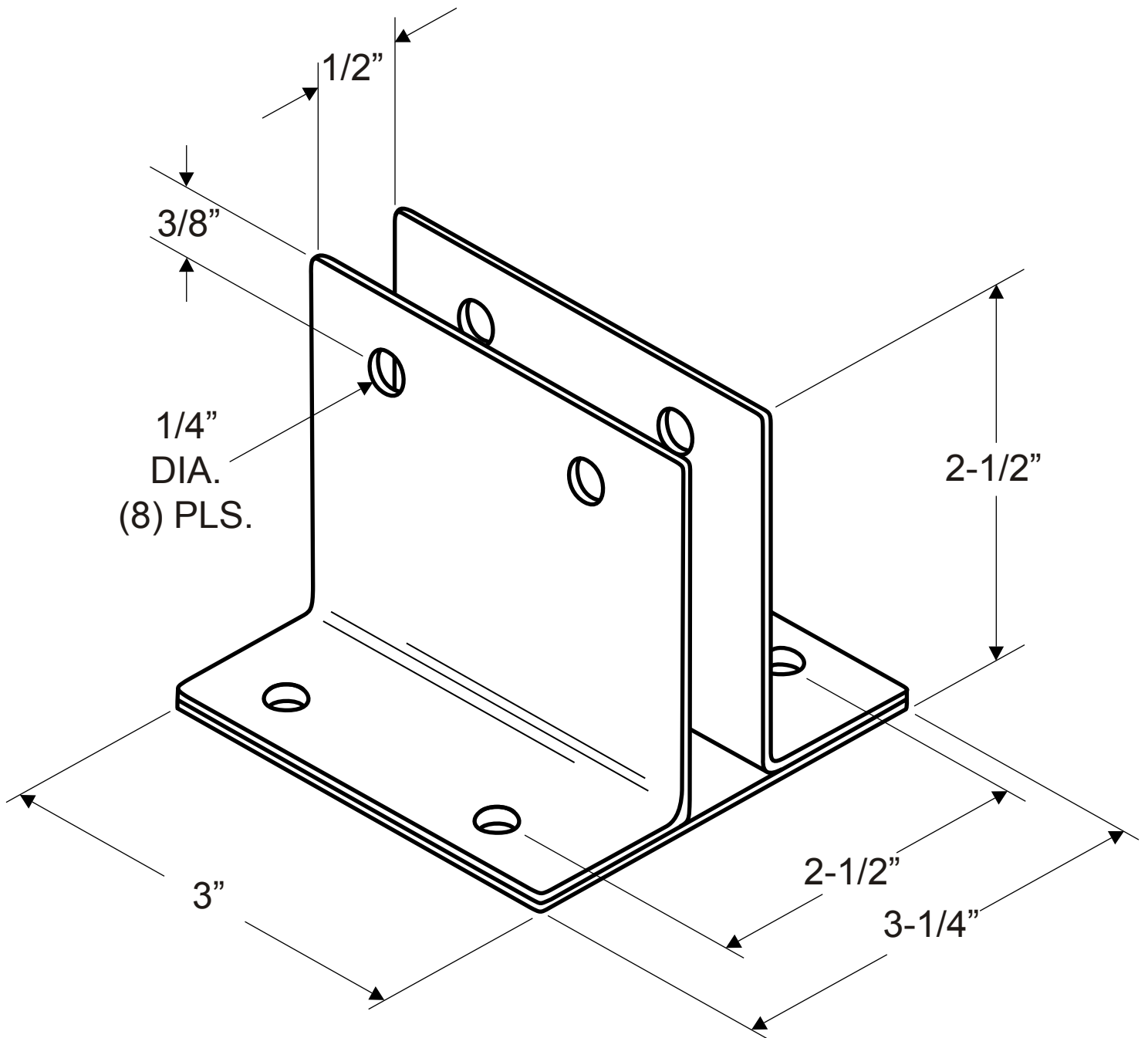


2209
(WALL BRACKET - TWO EAR DOUBLE HIGH 1/2")



NOTE: 14 GAUGE (.075" THICK STAINLESS)