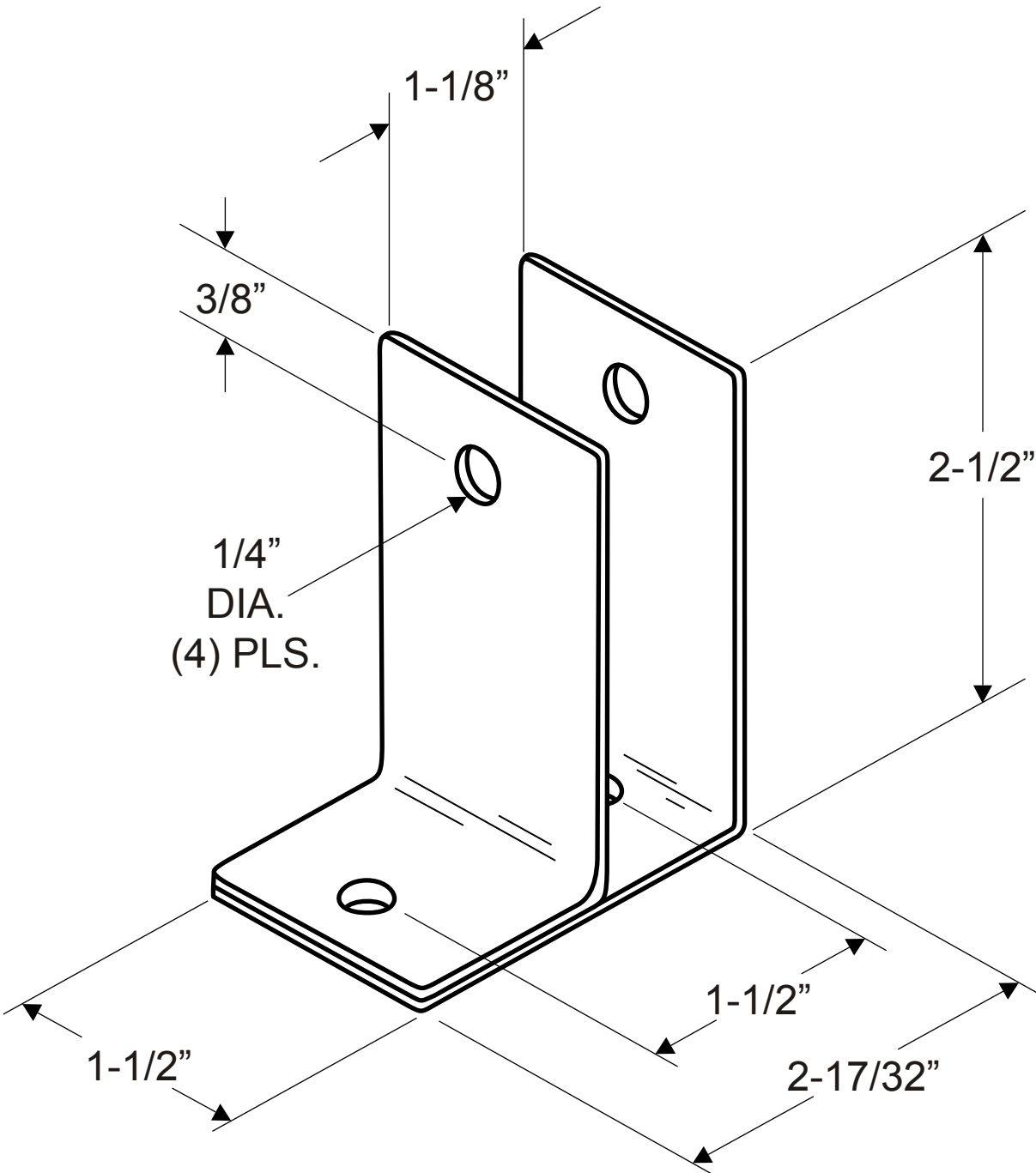


1829
(WALL BRACKET - ONE EAR 1-1/8")



NOTE: 14 GAUGE (.075" THICK STAINLESS)