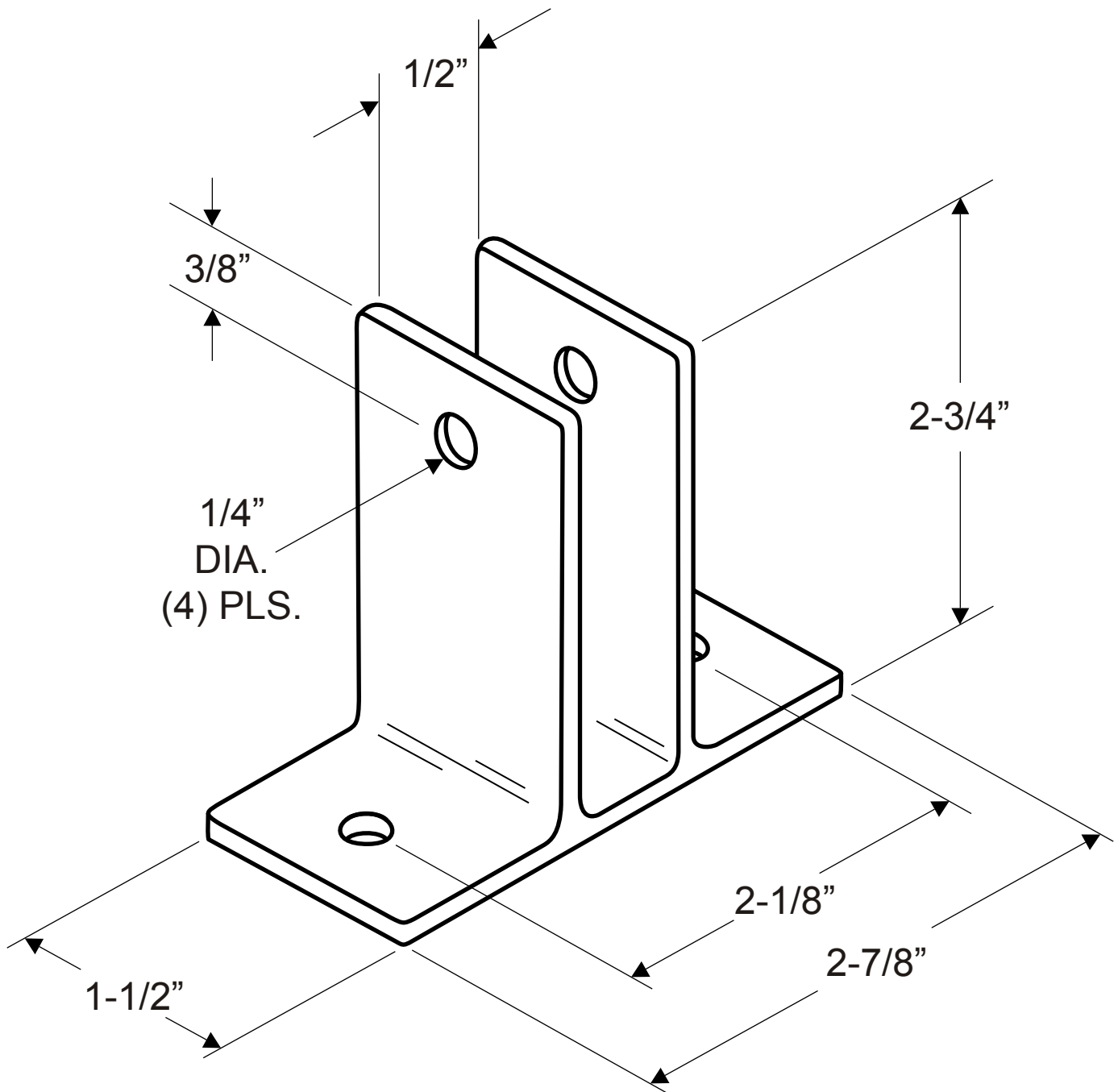


1564
(WALL BRACKET - TWO EAR 1/2")



NOTE: ALL WALL THICKNESS AT 1/8"