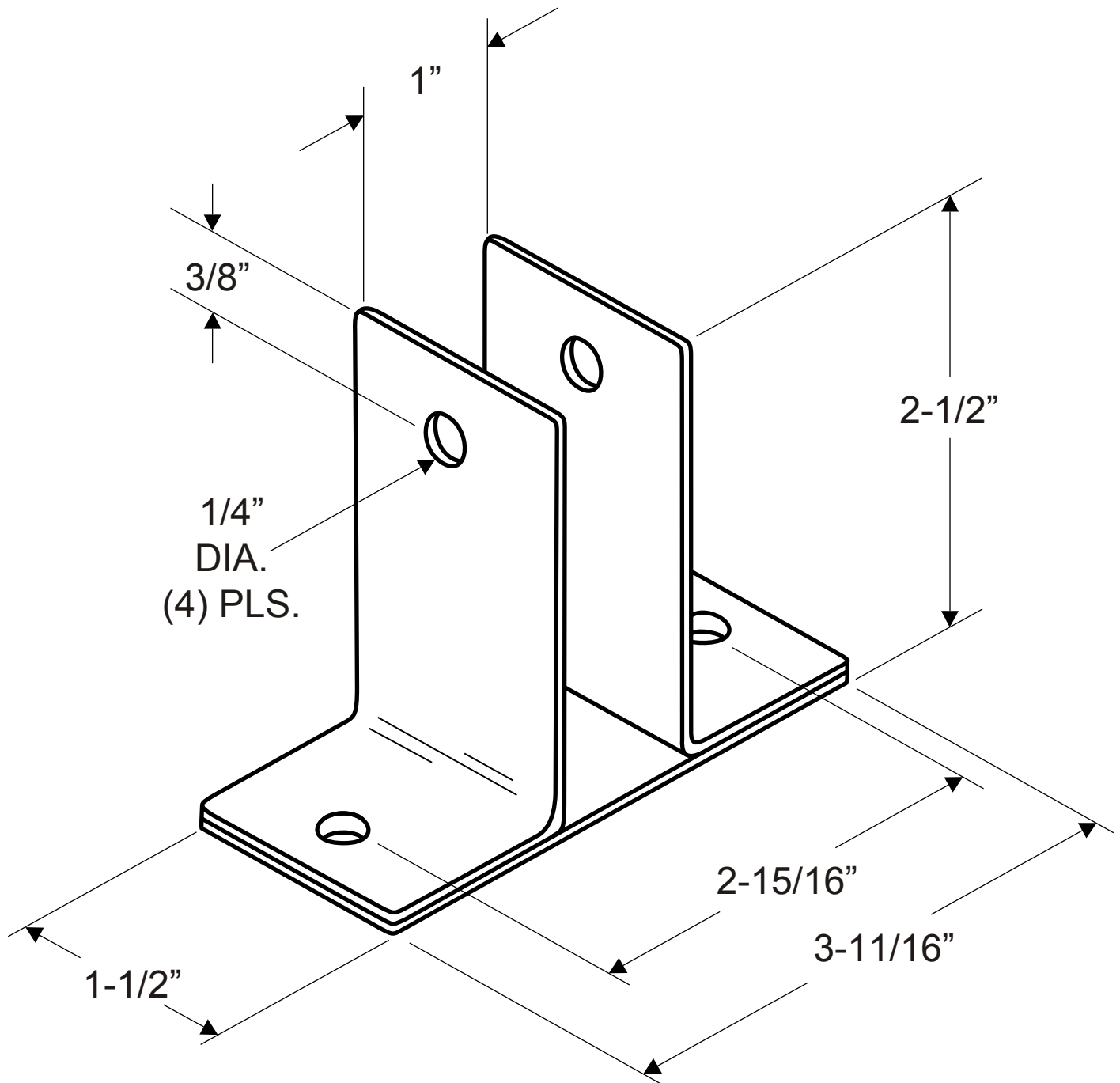


**1759**  
**(WALL BRACKET - TWO EAR 1")**



**NOTE: 14 GAUGE (.075" THICK STAINLESS)**