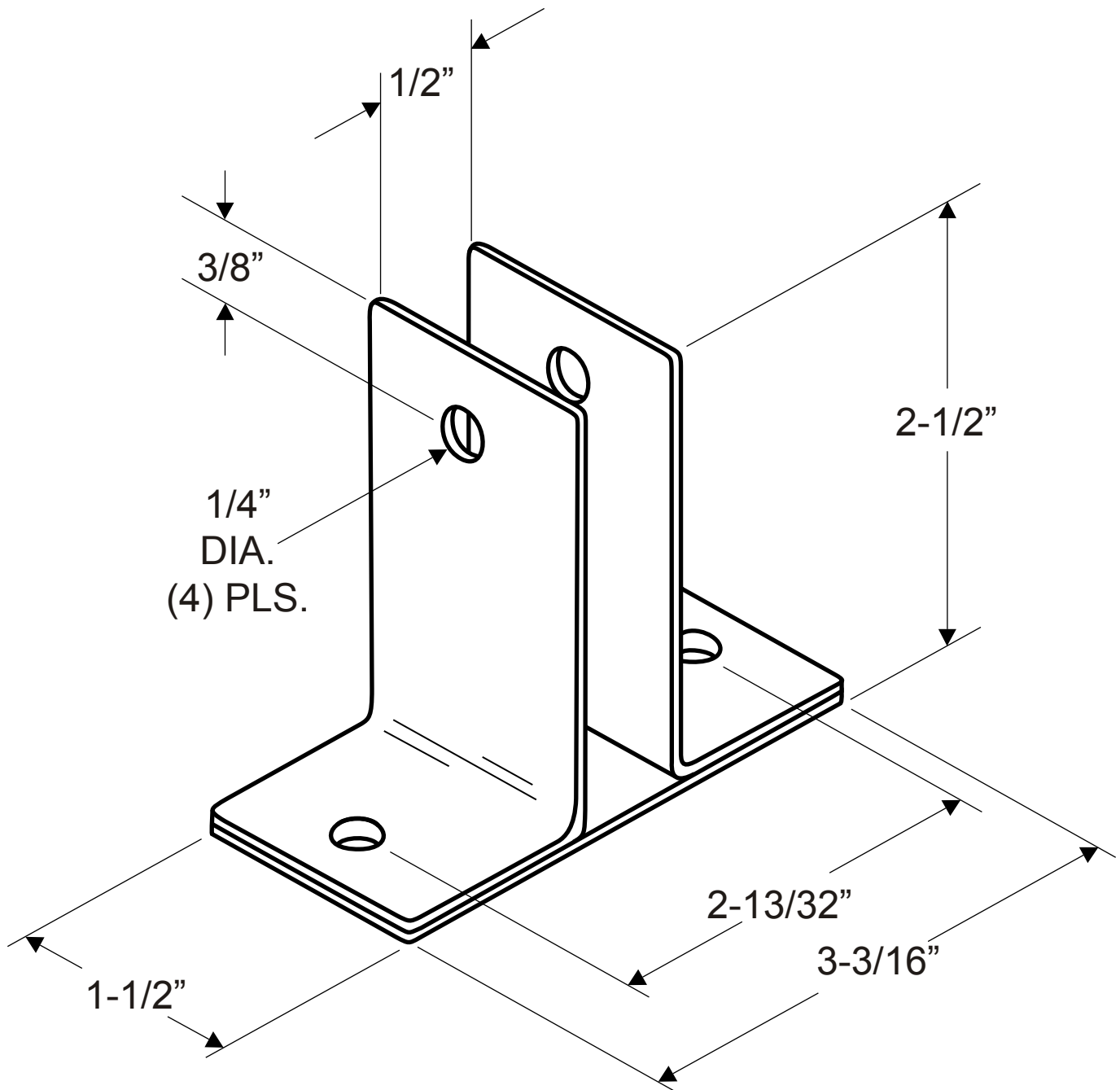


**1569**  
**(WALL BRACKET - TWO EAR 1/2")**



**NOTE: 14 GAUGE (.075" THICK STAINLESS)**