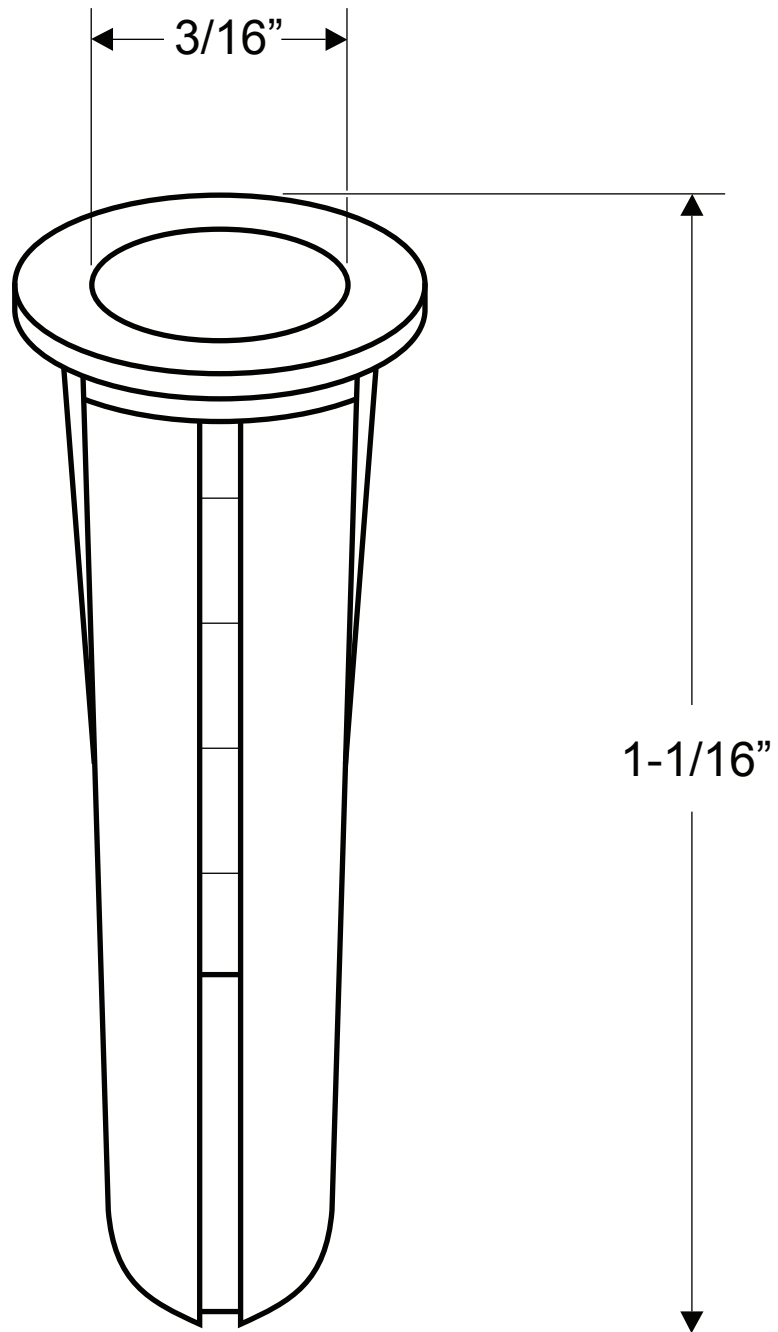


**9005_990009005
(PLASTIC ANCHOR)**



- NOTES: 1) FOR #10 - 12 SCREWS
2) FOR INSTALLATION, DRILL $1/4''$ DIA. HOLE.**